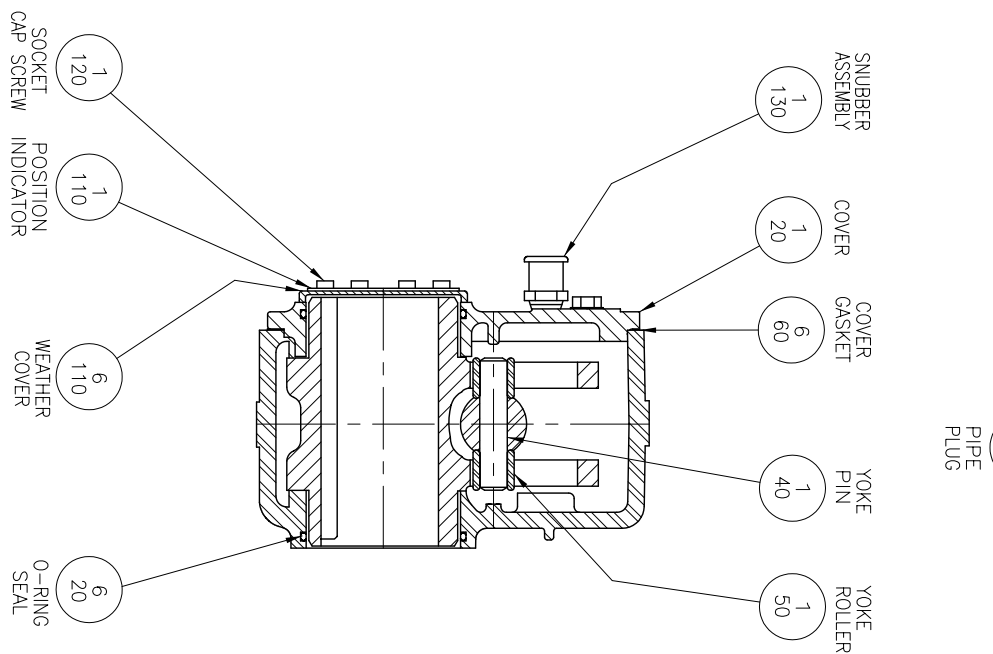
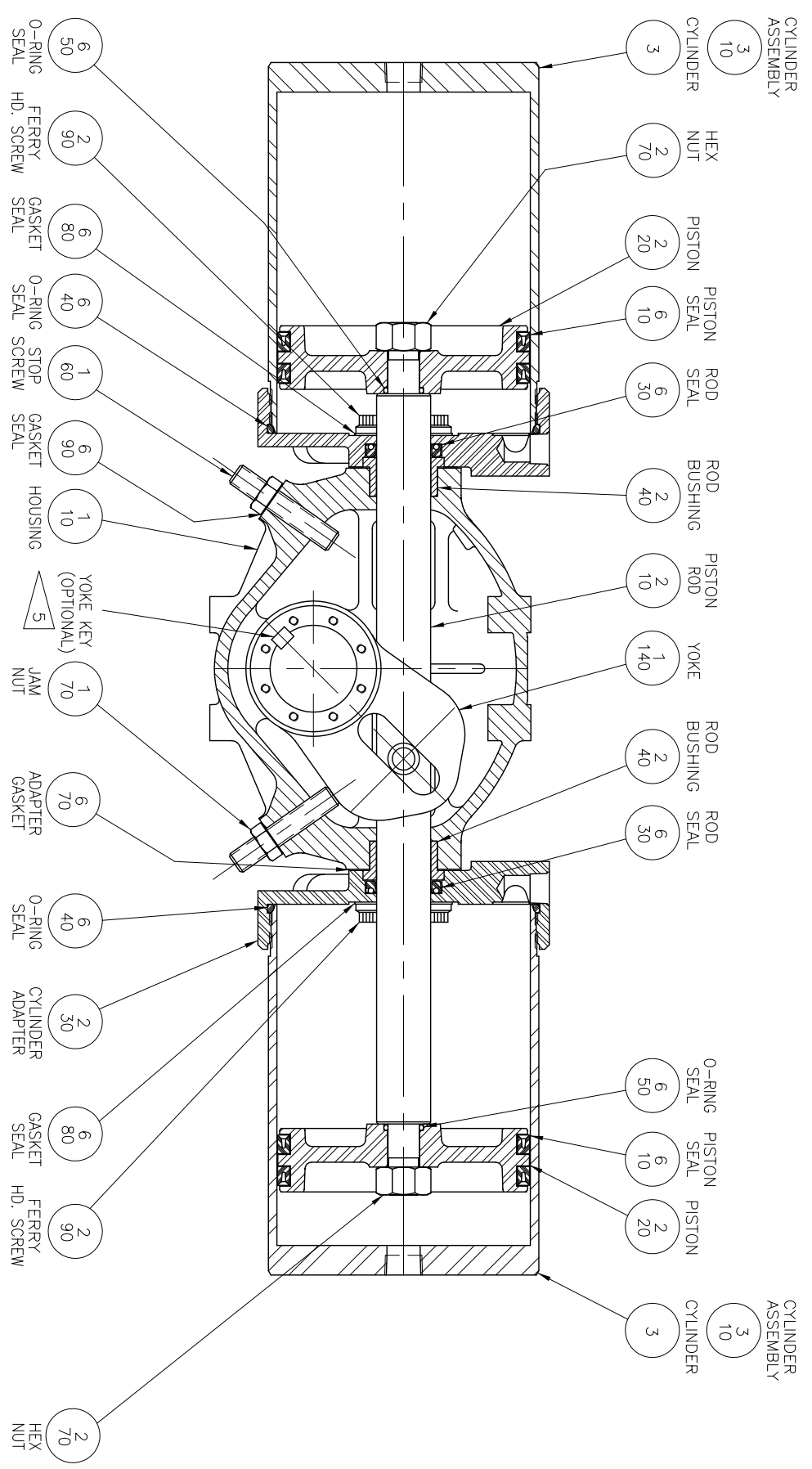
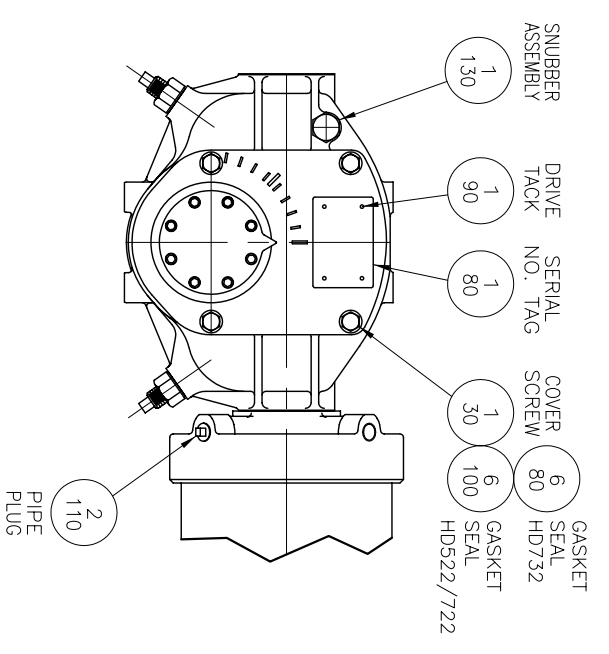
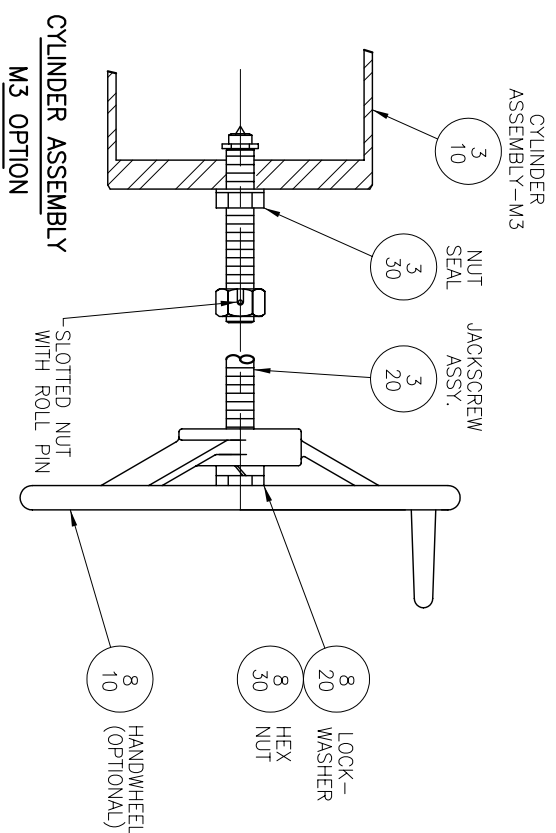


| REVISIONS | | |
|-----------|-------|----------|
| LTR | ENR | DATE |
| G | 17628 | 08/31/01 |

- NOTE:
- SERIAL NUMBER TAG (1-80) TO PLACED ON TOP OF COVER - SEE "TOP VIEW".
 - ALL PARTS SHOULD BE INSPECTED AND CAREFULLY CLEANED TO REMOVE ALL DIRT AND OTHER FOREIGN MATTER.
 - APPLY GREASE (6-150) LIBERALLY TO ALL COMPONENTS BEFORE ASSEMBLY.
 - INSPECT PER ES-6.
 - YOKE IS NOT INTENDED TO SHOW ACTUAL CONFIGURATION I.E. ROUND OR SQUARE AND NO. OF KEYSWAYS.

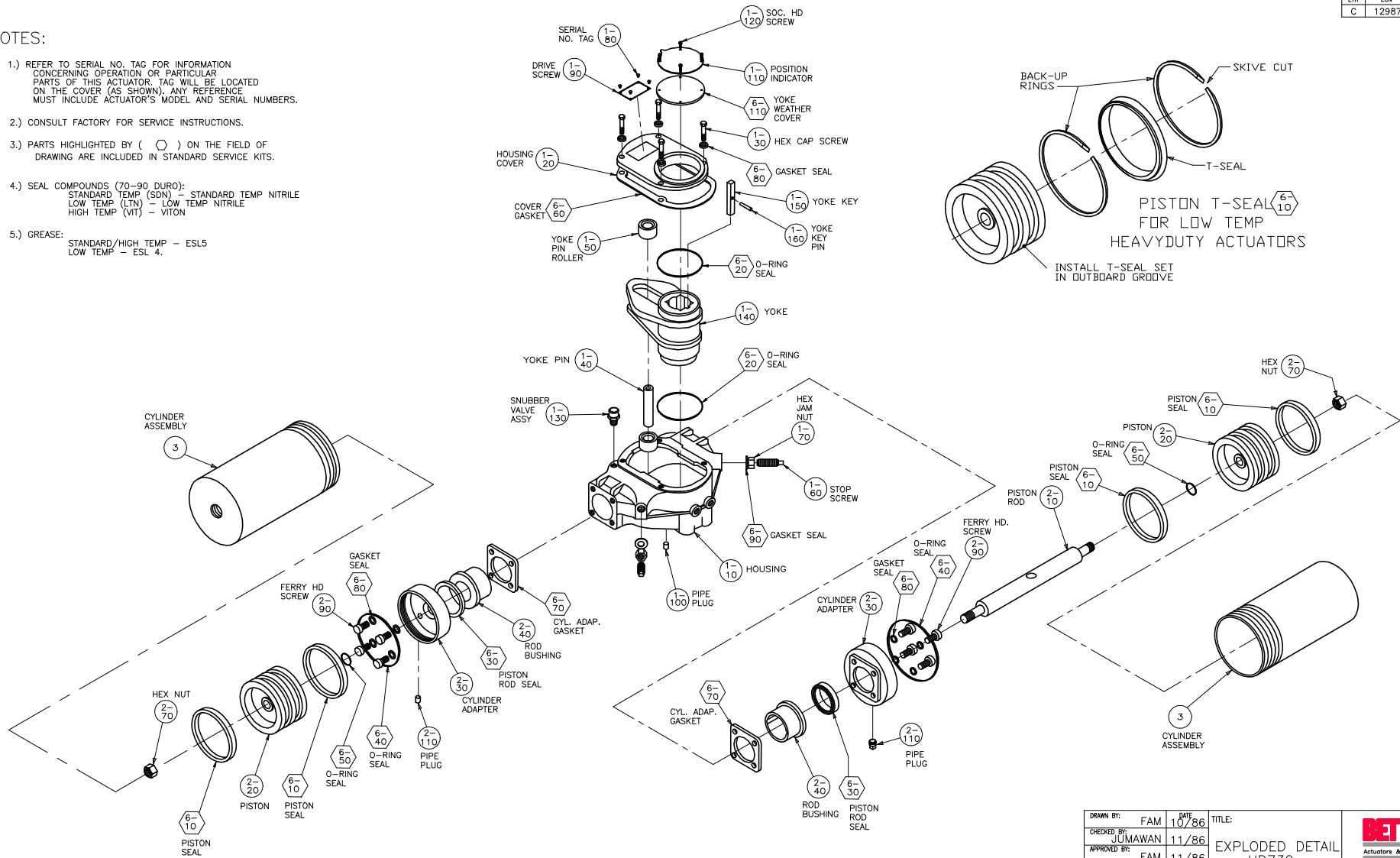


| | | | |
|--|---|--------------------------------------|----------------------|
| DRAWN BY: MUSCAL CHECKED BY: JUMMAN APPROVED BY: KANE DATE: 04/21/83 DATE: 04/26/83 DATE: 05/17/83 | TITLE: ASSEMBLY DRWG HD522/722/732 -M3/HW | BETTS Actuators & Controls | PART NO. 036278 |
| THIS DOCUMENT AND THE DATA HEREON CONTAINED THEREIN IS NOT TO BE REPRODUCED, COPIED, OR DISCLOSED IN WHOLE OR IN PART TO ANYONE WITHOUT THE PERMISSION OF BETTS. SALES ORDER: | THIRD ANGLE PROJECTION <input checked="" type="checkbox"/> | SCALE 1:2 DWG. SIZE D | SHEET 1 OF 1 REV. |

| REVISIONS | | |
|-----------|-------|------|
| LTR | ECN | DATE |
| C | 12987 | 8/93 |

NOTES:

- REFER TO SERIAL NO. TAG FOR INFORMATION CONCERNING OPERATION OR PARTICULAR PARTS OF THIS ACTUATOR. TAG WILL BE LOCATED ON THE COVER (AS SHOWN). ANY REFERENCE MUST INCLUDE ACTUATOR'S MODEL AND SERIAL NUMBERS.
- CONSULT FACTORY FOR SERVICE INSTRUCTIONS.
- PARTS HIGHLIGHTED BY (\square) ON THE FIELD OF DRAWING ARE INCLUDED IN STANDARD SERVICE KITS.
- SEAL COMPOUNDS (70-90 DURO):
STANDARD TEMP (SDN) - STANDARD TEMP NITRILE
LOW TEMP (LTN) - LOW TEMP NITRILE
HIGH TEMP (VIT) - VITON
- GREASE:
STANDARD/HIGH TEMP - ESL5
LOW TEMP - ESL 4.



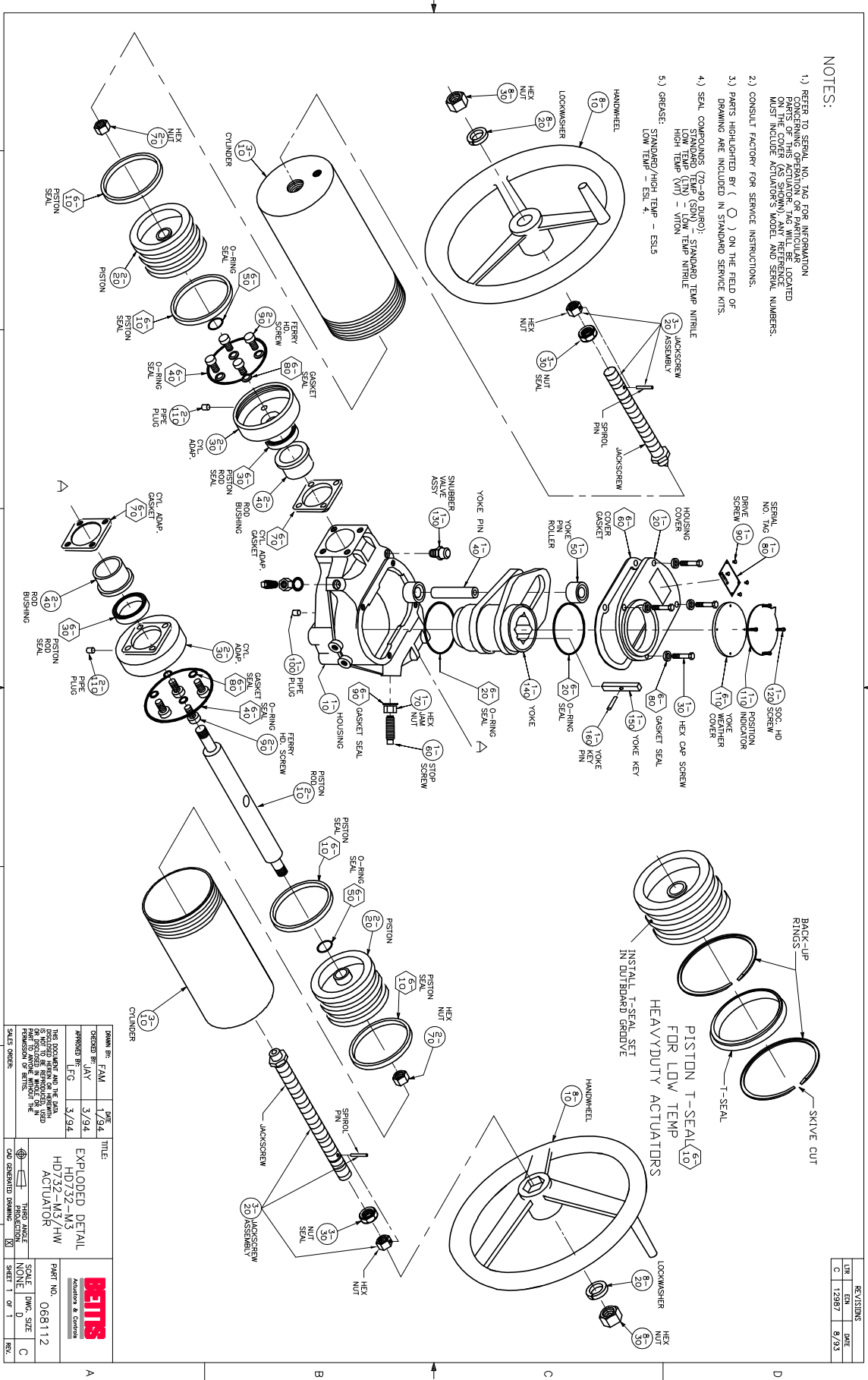
| | | | |
|--|---------|-------|-------|
| DRAWN BY: | FAM | DATE: | 10/86 |
| CHECKED BY: | JUMAWAN | DATE: | 11/86 |
| APPROVED BY: | FAM | DATE: | 11/86 |
| THIS DOCUMENT AND THE DATA DISCLOSED HEREIN OR HEREWITH IS NOT TO BE REPRODUCED, USED OR DISCLOSED IN WHOLE OR IN PART TO ANYONE WITHOUT THE PERMISSION OF BETTIS. | | | |
| SALES ORDER: | N/A | | |

TITLE:
EXPLODED DETAIL
HD732
ACTUATOR

| | | |
|---------------------------------------|-----------|------|
| BETTIS Actuators & Controls | | |
| PART NO. | 063356 | |
| SCALE | DWG. SIZE | C |
| NONE | D | |
| SHEET | 1 OF 1 | REV. |

NOTES:

- 1.) REFER TO SERIAL NO. TAG FOR INFORMATION CONCERNING OPERATION OR PARTICULAR PARTS. SERIAL NO. TAG IS LOCATED ON THE COVER (AS SHOWN). ANY REFERENCE MUST INCLUDE ACTUATOR'S MODEL AND SERIAL NUMBERS.
- 2.) CONSULT FACTORY FOR SERVICE INSTRUCTIONS.
- 3.) PARTS HIGHLIGHTED BY () ON THE FIELD OF DRAWING ARE INCLUDED IN STANDARD SERVICE KITS.
- 4.) SEAL COMPONENTS (72-20 PART): STANDARD TEMP NITRILE LOW TEMP (TN) - LOW TEMP NITRILE HIGH TEMP (HT) - LOW TEMP NITRILE LOW TEMP (VT) - WITON
- 5.) GREASE: STANDARD/HIGH TEMP - ESLS



| REV. | DATE | BY | CHKD. |
|------|------|----|-------|
| 1 | 8/93 | | |
| 2 | | | |
| 3 | | | |

| | | | |
|---|-----------|--------|-----------|
| REV. 1 | DATE 1/94 | BY FAW | CHKD. JAV |
| REV. 2 | DATE 3/94 | BY EFG | CHKD. JAV |
| <p>THIS DOCUMENT AND THE DATA CONTAINED HEREIN ARE UNCLASSIFIED EXCEPT WHERE SHOWN OTHERWISE AND TO REMAIN UNCLASSIFIED INDEFINITELY.</p> | | | |
| <p>EXPLODED DETAIL HD732-M3 ACTUATOR</p> | | | |
| <p>PART NO. 068112</p> | | | |
| <p>SCALE DIM. SIZE C</p> | | | |
| <p>SHR 1 OF 1 REV.</p> | | | |