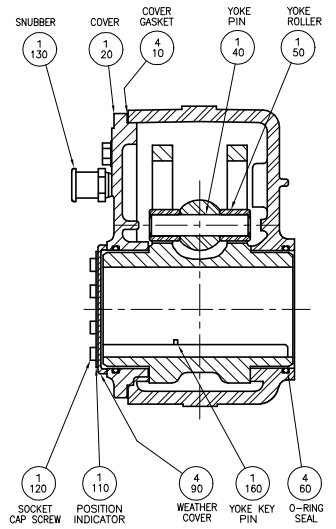
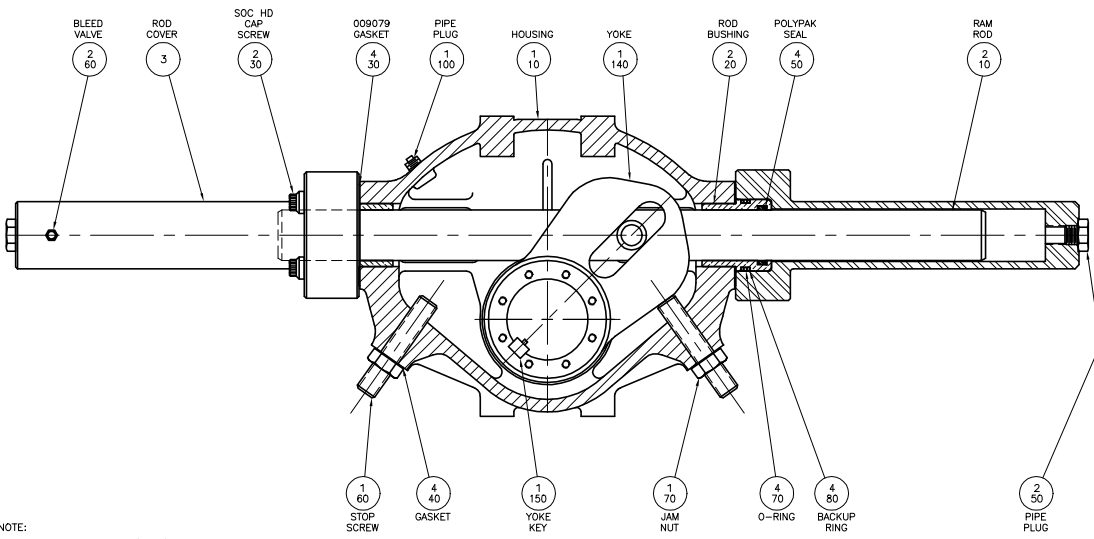
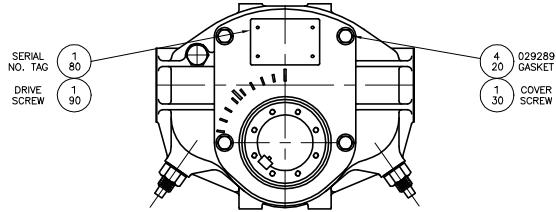


REVISIONS		
LTW	EDN	DATE
A	5420	5/78
B	5666	2/79
C	5717	4/79
D	7420	11/81
E	09205	5/87



- NOTE:
- SERIAL NUMBER TAG (1-80) TO BE PLACED ON TOP OF COVER - SEE TOP VIEW.
 - ALL PARTS SHOULD BE INSPECTED AND CAREFULLY CLEANED TO REMOVE ALL DIRT AND OTHER FOREIGN MATTER.
 - APPLY GREASE (4-100) LIBERALLY TO ALL COMPONENTS BEFORE ASSEMBLY.
 - UNITS TO BE INSPECTED PER ES-6.

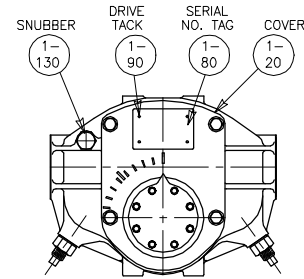
DRAWN BY: MUSCAL CHECKED BY: JWS APPROVED BY: BECK DATE: 6/9/78 3/2/79 3/2/79	TITLE: ASSEMBLY DRWG. H251.5A ACTUATOR	
THE DOCUMENT AND THE DATA DISCLOSED HEREIN OR THEREIN IS NOT TO BE REPRODUCED, USED OR FURNISHED IN WHOLE OR IN PART TO ANYONE WITHOUT THE PERMISSION OF PETS.		PART NO. 036239 SCALE 3:4 DWG. SIZE D SHEET 1 OF 1
SALES ORDER:		THIRD ANGLE PROJECTION <input type="checkbox"/> FIRST ANGLE PROJECTION CVD GENERATED DRAWING

NOTES:

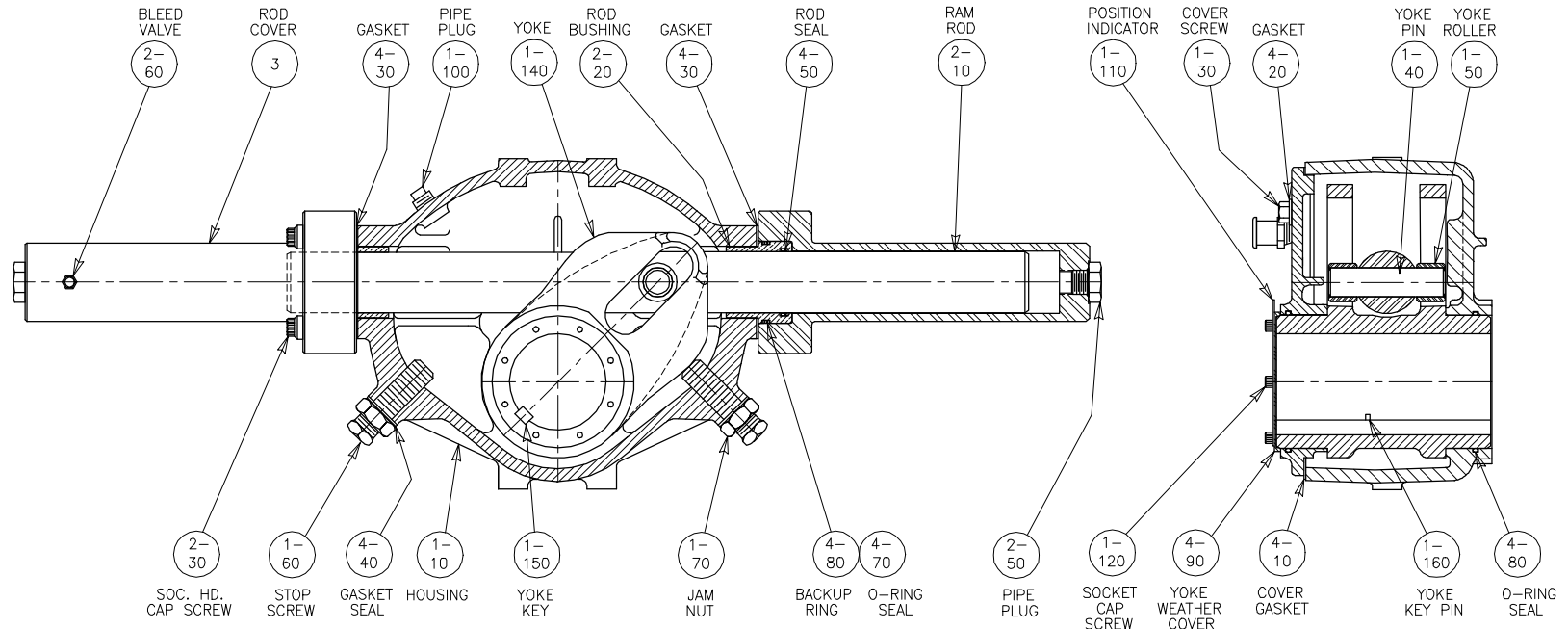
- 1.) ALL PARTS SHOULD BE INSPECTED AND CAREFULLY CLEANED TO REMOVE ALL DIRT AND OTHER FOREIGN MATTER.
- 2.) APPLY GREASE (4-100) TO ALL COMPONENTS BEFORE ASSEMBLY.
- 3.) UNITS TO BE INSPECTED PER ES-6.

NOT SHOWN:

- 2-40 PIPE PLUG
- 4-100 GREASE



TOP VIEW



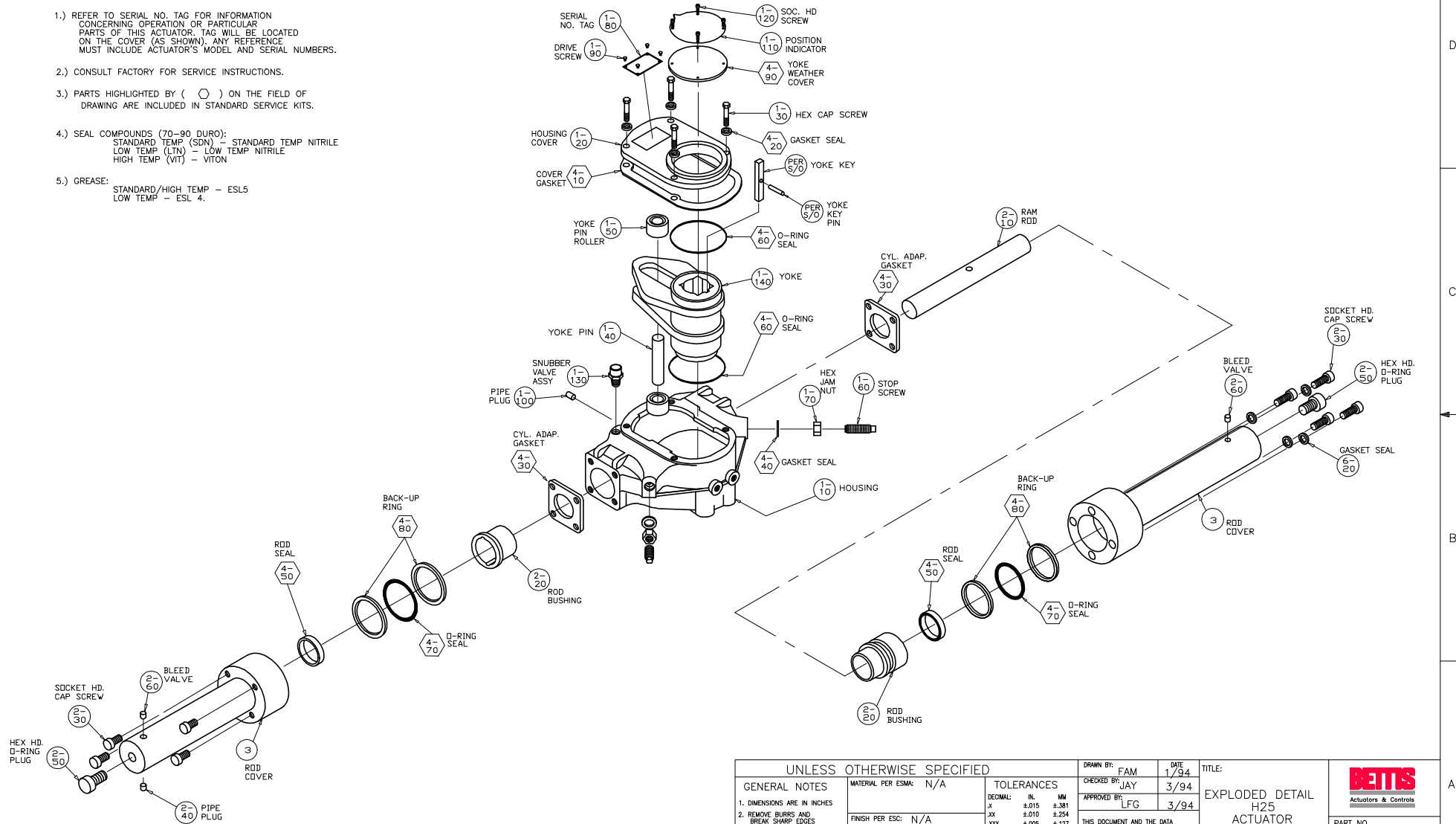
REVISIONS		
LTR	ECN	DATE
A	5420	5/78
B	5666	2/79
C	5717	4/79
D	03246	12/80
E	7425	11/81
F	09205	5/87

DRAWN BY: FAM CHECKED BY: JWS APPROVED BY: BECK	DATE: 6/78 3/79 3/79	TITLE: ASSEMBLY DWG. H352.1A ACTUATOR	
THIS DOCUMENT AND THE DATA DISCLOSED HEREIN OR HEREWITH IS NOT TO BE REPRODUCED, USED OR DISCLOSED IN WHOLE OR IN PART TO ANYONE WITHOUT THE PERMISSION OF BETTS.		PART NO. 036241	
SALES ORDER:		THIRD ANGLE PROJECTION CAD GENERATED DRAWING [X]	SCALE: NONE DWG. SIZE: D SHEET: 1 OF 1 REV.

REVISIONS		
LTR	ECN	DATE
B	12987	8/93

NOTES:

- REFER TO SERIAL NO. TAG FOR INFORMATION CONCERNING OPERATION OR PARTICULAR PARTS OF THIS ACTUATOR. TAG WILL BE LOCATED ON THE COVER (AS SHOWN). ANY REFERENCE MUST INCLUDE ACTUATOR'S MODEL AND SERIAL NUMBERS.
- CONSULT FACTORY FOR SERVICE INSTRUCTIONS.
- PARTS HIGHLIGHTED BY () ON THE FIELD OF DRAWING ARE INCLUDED IN STANDARD SERVICE KITS.
- SEAL COMPOUNDS (70-90 DURO):
STANDARD TEMP (SDN) - STANDARD TEMP NITRILE
LOW TEMP (LTN) - LOW TEMP NITRILE
HIGH TEMP (VIT) - VITON
- GREASE: STANDARD/HIGH TEMP - ESL5
LOW TEMP - ESL 4.

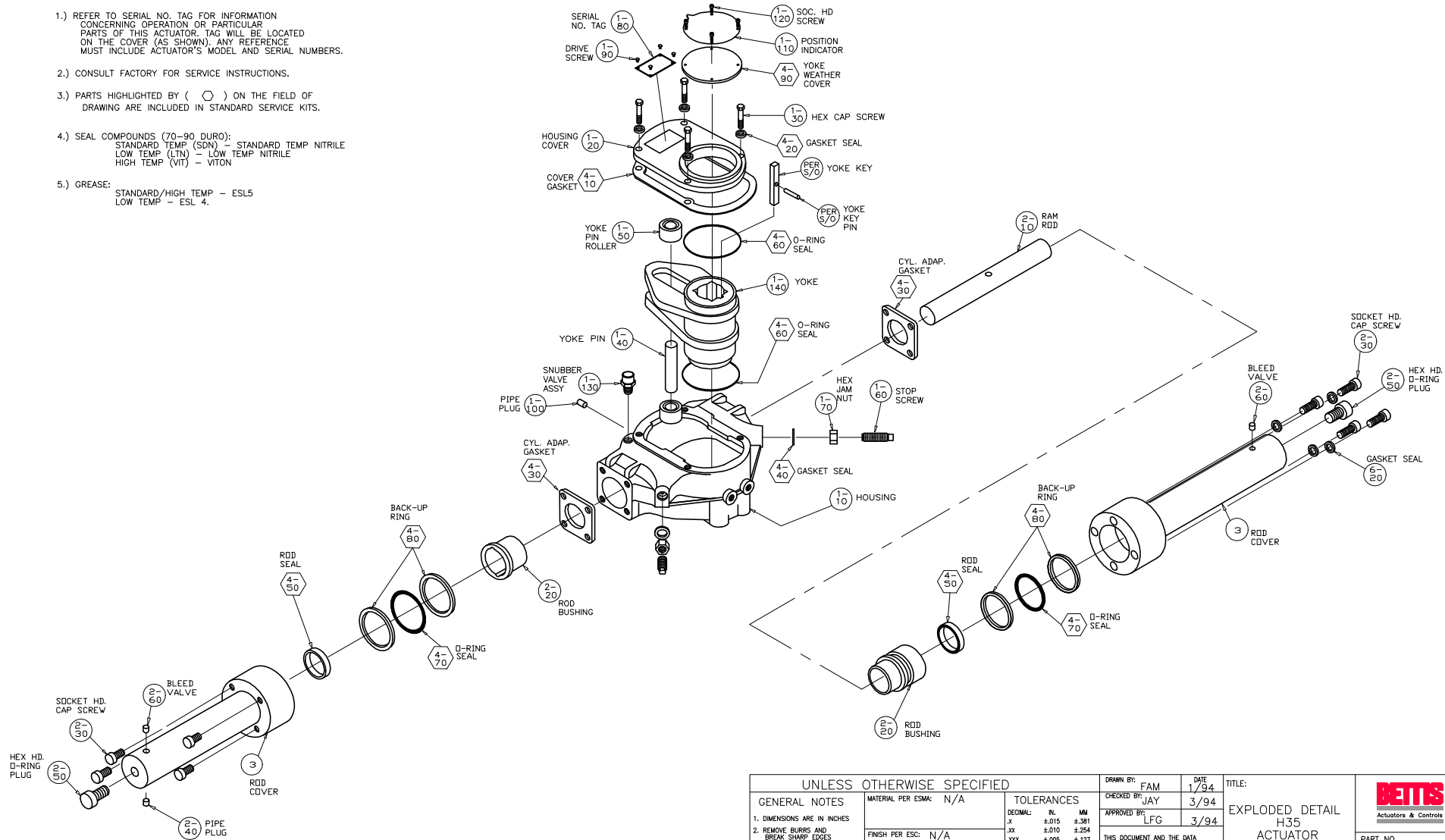


UNLESS OTHERWISE SPECIFIED		DRAWN BY: FAM	DATE: 1/94	TITLE:
GENERAL NOTES		CHECKED BY: JAY <td>3/94 <td rowspan="2">EXPLODED DETAIL H25 ACTUATOR</td> </td>	3/94 <td rowspan="2">EXPLODED DETAIL H25 ACTUATOR</td>	EXPLODED DETAIL H25 ACTUATOR
<ol style="list-style-type: none"> DIMENSIONS ARE IN INCHES REMOVE BURRS AND BREAK SHARP EDGES CHAMFER ANGLES: 45° SURFACE FINISH: 125 RMS FILLETS: .031R±.015 TOL DO NOT SCALE DRAWING 		APPROVED BY: LFG	3/94	
MATERIAL PER ES&M: N/A	TOLERANCES	THIS DOCUMENT AND THE DATA DISCLOSED HEREIN OR HERewith IS NOT TO BE REPRODUCED, USED OR DISCLOSED IN WHOLE OR IN PART TO ANYONE WITHOUT THE PERMISSION OF BETTIS.		
FINISH PER ESC: N/A	DECIMAL: IN. ±.015 ±.381 .XX MM ±.010 ±.254 ANGULAR: ±1° .005 TIR 127 TIR	PART NO. 065011		
DIMENSIONS ARE N/A COATING	IF APPLICABLE, MARK (X) WITH PART NUMBER AND LATEST REVISION.	SCALE NONE DWG. SIZE D		
APPROX. WEIGHT N/A LBS		SALES ORDER: <input type="checkbox"/>		
		THIRD ANGLE PROJECTION		
		CAD GENERATED DRAWING <input checked="" type="checkbox"/>		
		SHEET 1 OF 1 REV.		

REVISIONS		
LTR	ECN	DATE
B	12987	8/93

NOTES:

- REFER TO SERIAL NO. TAG FOR INFORMATION CONCERNING OPERATION OR PARTICULAR PARTS OF THIS ACTUATOR. TAG WILL BE LOCATED ON THE COVER (AS SHOWN). ANY REFERENCE MUST INCLUDE ACTUATOR'S MODEL AND SERIAL NUMBERS.
- CONSULT FACTORY FOR SERVICE INSTRUCTIONS.
- PARTS HIGHLIGHTED BY () ON THE FIELD OF DRAWING ARE INCLUDED IN STANDARD SERVICE KITS.
- SEAL COMPOUNDS (70-90 DURO):
STANDARD TEMP (SDN) - STANDARD TEMP NITRILE
LOW TEMP (LTN) - LOW TEMP NITRILE
HIGH TEMP (VIT) - VITON
- GREASE: STANDARD/HIGH TEMP - ESL5
LOW TEMP - ESL 4.



UNLESS OTHERWISE SPECIFIED		DRAWN BY: FAM	DATE: 1/94	TITLE:
GENERAL NOTES		CHECKED BY: JAY <td>3/94 <td rowspan="2">EXPLODED DETAIL H35 ACTUATOR</td> </td>	3/94 <td rowspan="2">EXPLODED DETAIL H35 ACTUATOR</td>	EXPLODED DETAIL H35 ACTUATOR
APPROVED BY: LFG <td>3/94 <td></td> </td>		3/94 <td></td>		
1. DIMENSIONS ARE IN INCHES 2. REMOVE BURRS AND BREAK SHARP EDGES 3. CHAMFER ANGLES: 35° 4. SURFACE FINISH: 125 RMS 5. FILLETS: .031R±.015 TOL. 6. DO NOT SCALE DRAWING		MATERIAL PER ES&M: N/A FINISH PER ESC: N/A DIMENSIONS ARE N/A COATING N/A LBS APPROX. WEIGHT		BETTS Actuators & Controls PART NO. 065012 SCALE NONE DWG. SIZE D SHEET 1 OF 1 REV.
TOLERANCES DECIMAL: IN ±.015 ±.381 XX ±.010 ±.254 .XXX ±.005 ±.127 ANGULAR ±1° .005 TIR 127 TIR		IF APPLICABLE, MARK (X) WITH PART NUMBER AND LATEST REVISION. SALES ORDER:		THIS DOCUMENT AND THE DATA DISCLOSED HEREIN OR HERewith IS NOT TO BE REPRODUCED, USED OR DISCLOSED IN WHOLE OR IN PART TO ANYONE WITHOUT THE PERMISSION OF BETTS. THIRD ANGLE PROJECTION <input checked="" type="checkbox"/> CAD GENERATED DRAWING