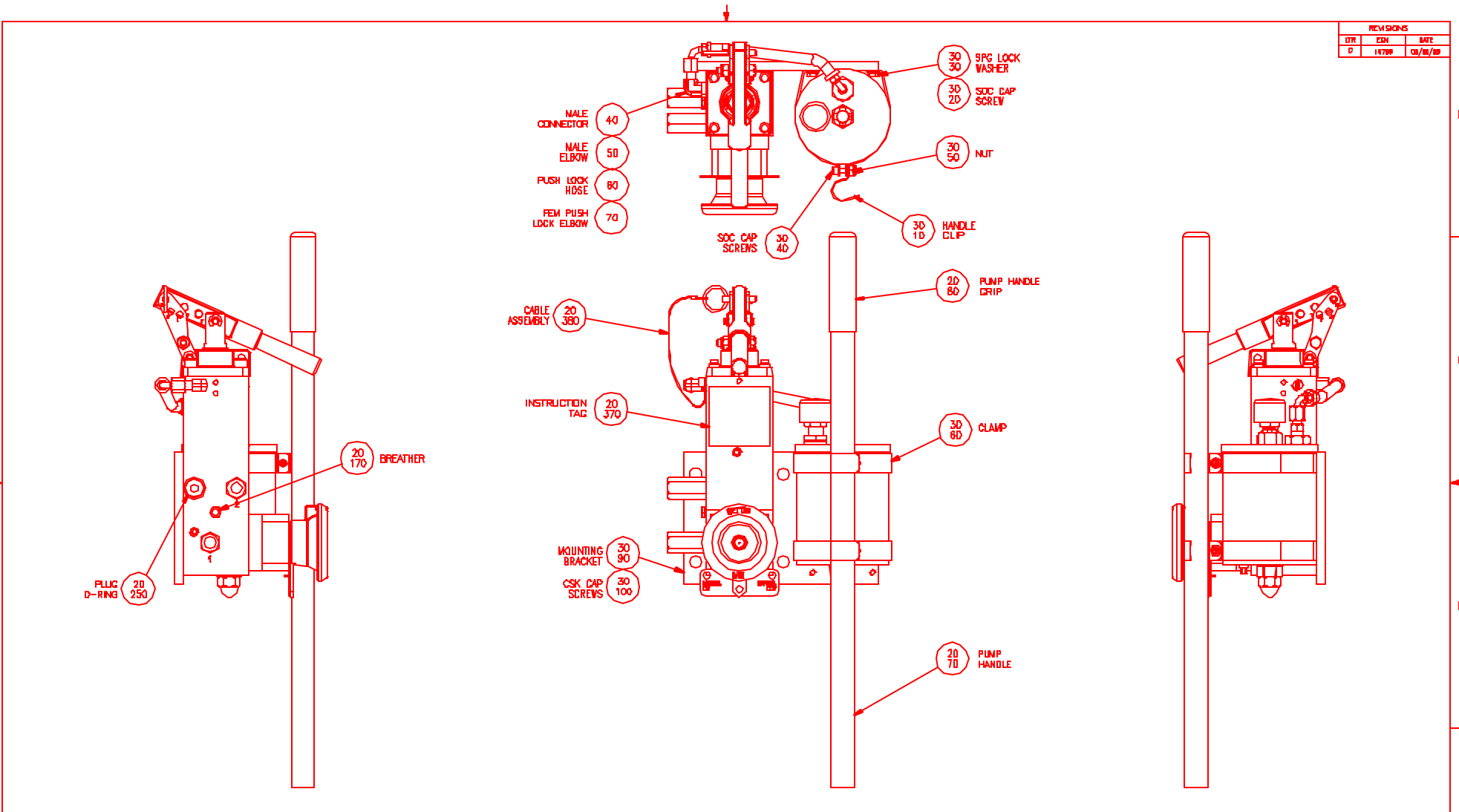
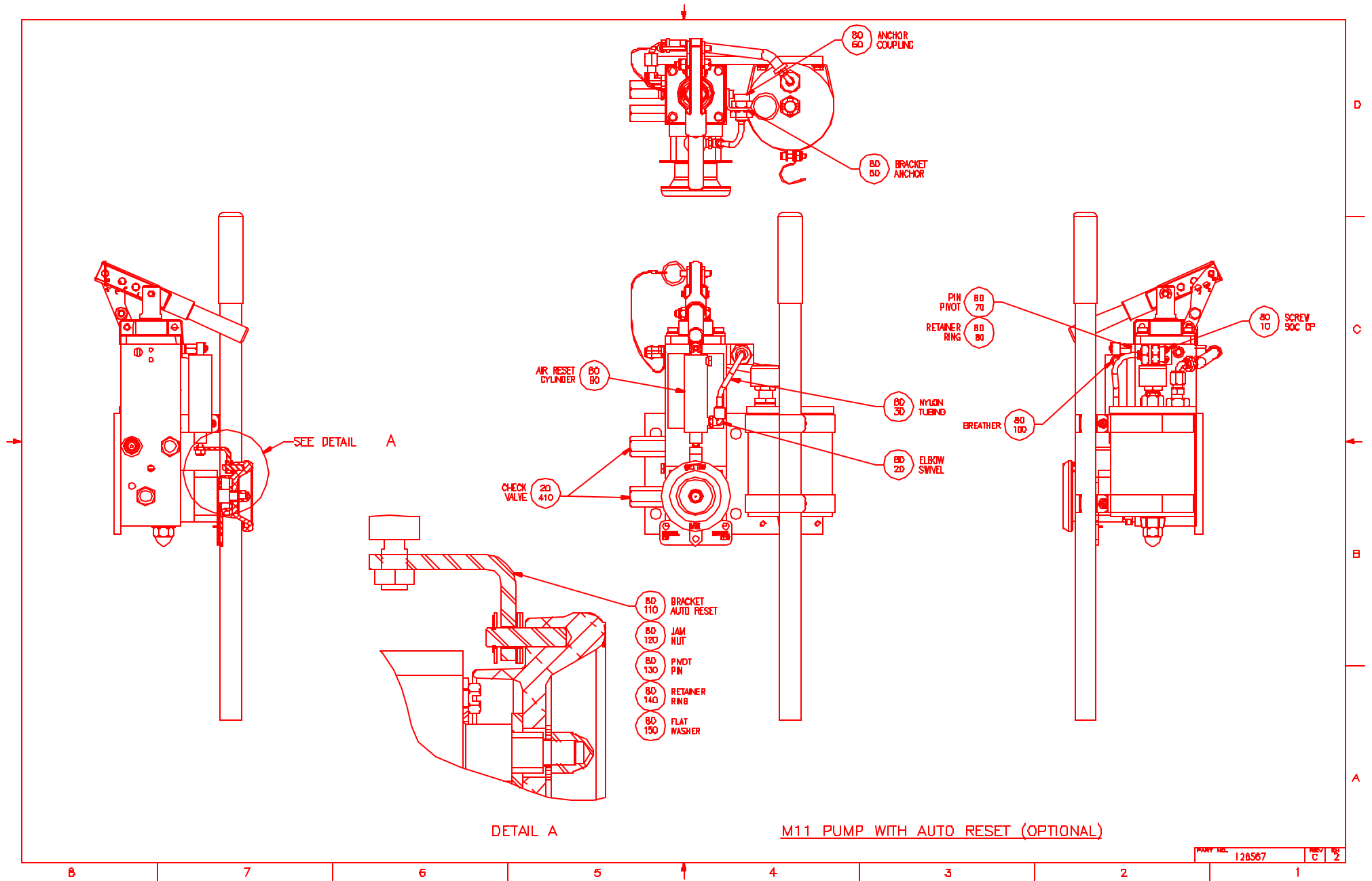
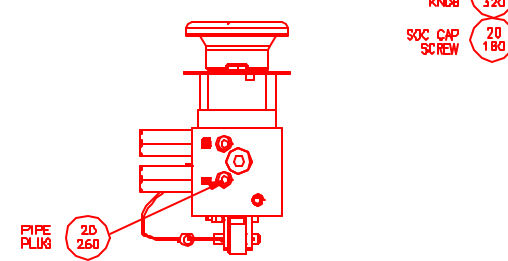
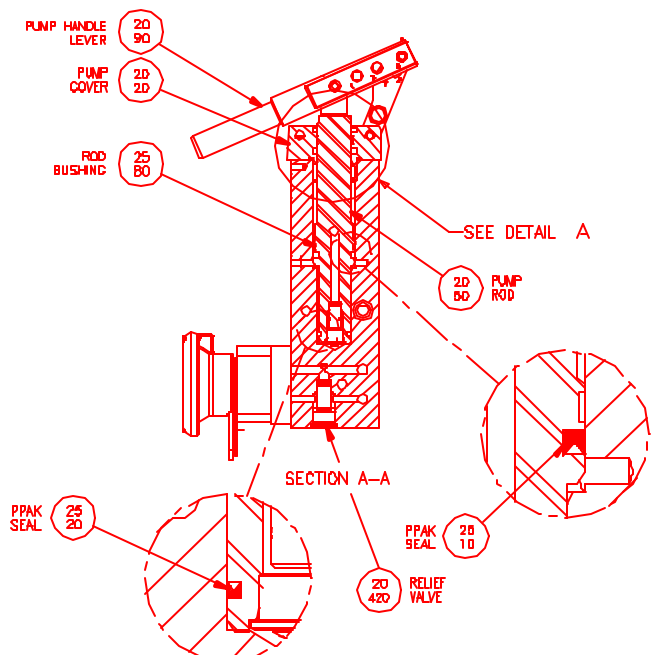
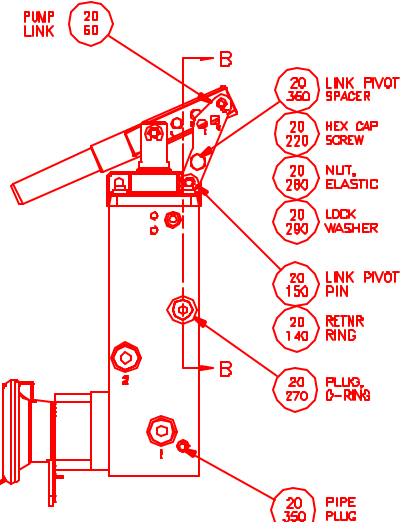
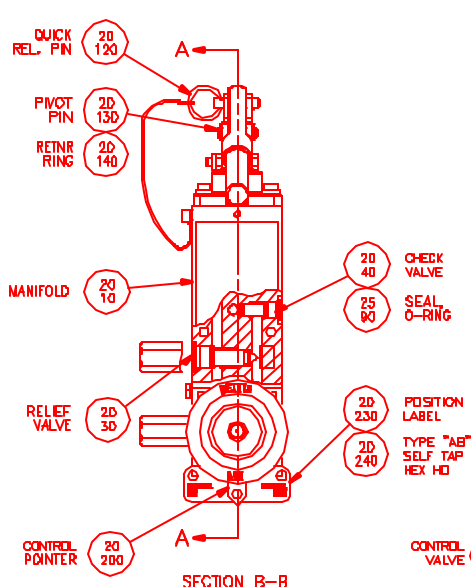
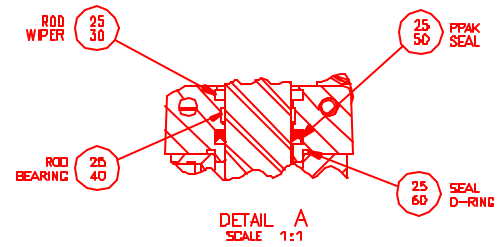
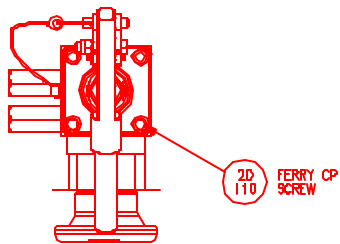


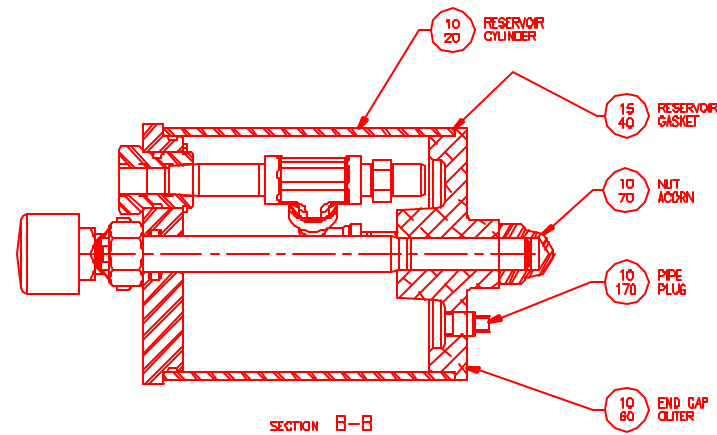
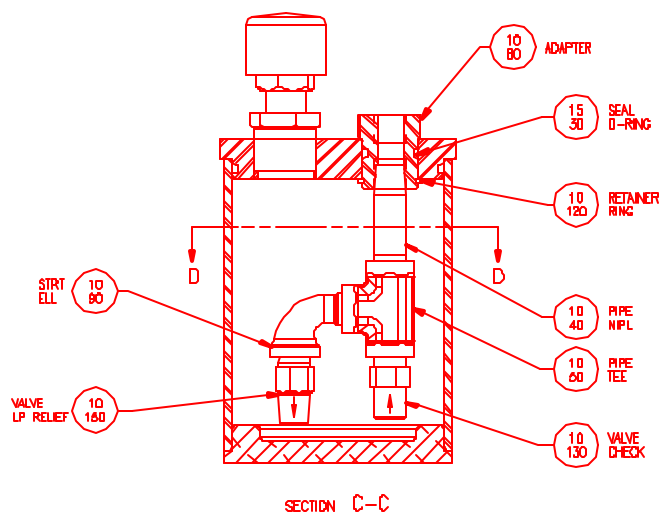
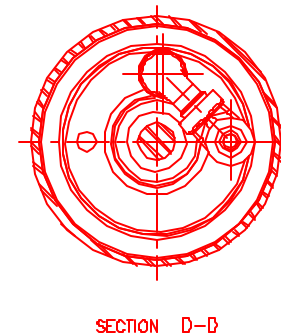
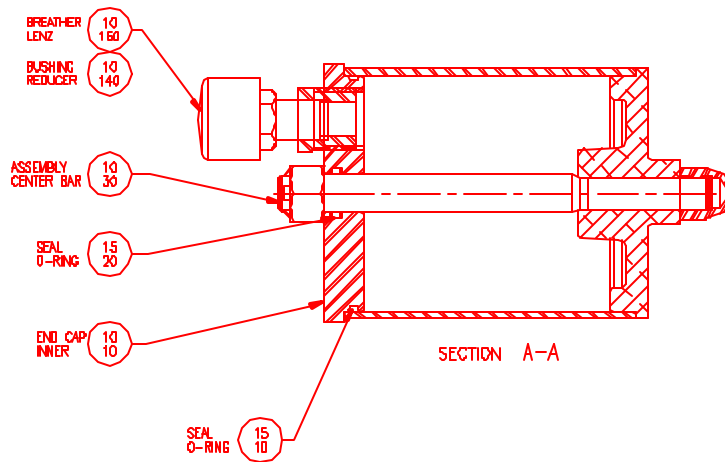
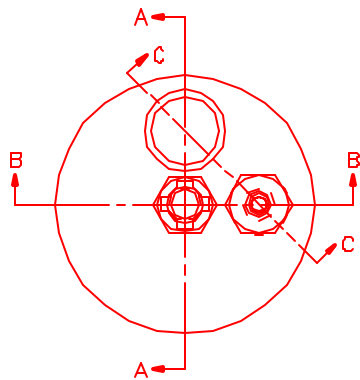
REV'SIONS		
QTR	EGN	DATE
D	14788	02/06/08

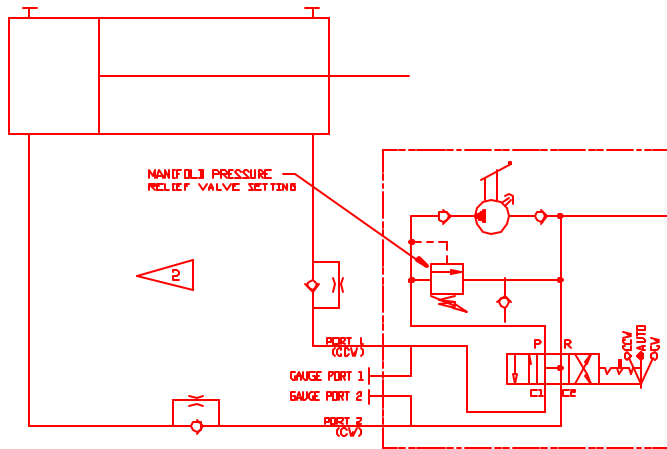


UNLESS OTHERWISE SPECIFIED			DESIGNED BY	DATE	TITLE
GENERAL NOTES 1 DIMENSIONS ARE IN INCHES 2 HONEY BEEBEE ARE DRAWN TO SIZE 3 CHAMFER ANGLES 45° 4 SURFACE FINISH 125 RMS 5 FILLETS .0314 IN. R16 6. NO KEY SEALS BEARING 7 DIMENSIONS IN PARENTHESIS ARE FOR (S-7)			R. DAVISS	1/1/06	M11 ASSEMBLY
			MATERIAL PER (S-7) FINISH PER (S-7)	TOLERANCES DECIMALS IN MM .XX ± .015 .XXX ± .010 .XXX ± .008 ANGULAR ±1° .005 TH ±.127 TH IF APPLICABLE, MARK (X) WITH PART NUMBER AND LATEST REVISION. <input type="checkbox"/> HONEY BEEBEE	
SCALE 1:1			DWG. SIZE D		REV. 1 of 1

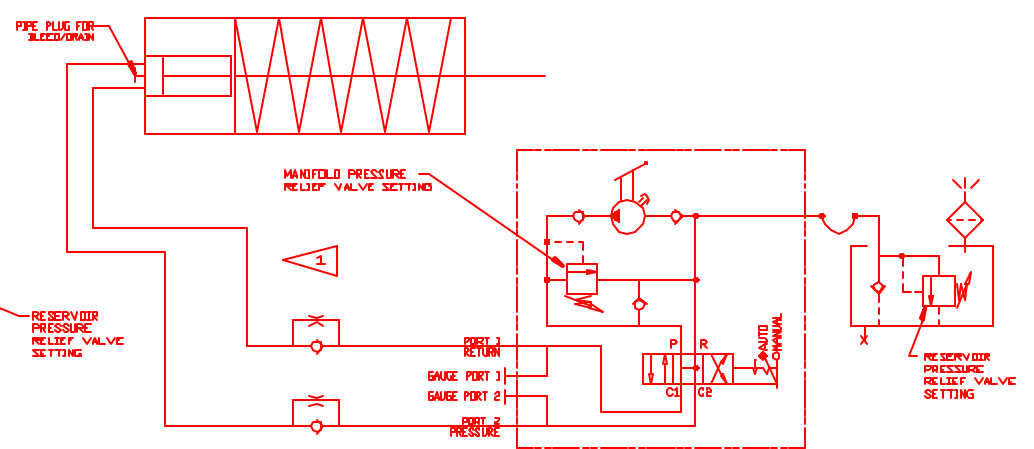




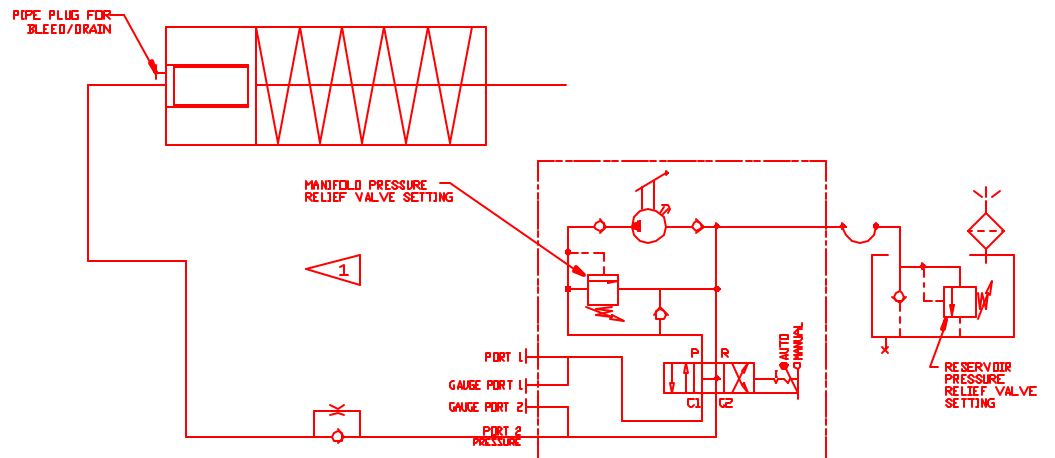




M11 - DA
(ALL DOUBLE ACTING G, T'S, HD'S)



M11 - SR-PSTN
(HD, T'S AND G7-G10)



M11 - SR RAM
(ONLY G2-G5)

ACTUATOR	PRESSURE RELIEF VALVE SETTINGS	
	MANIFOLD	RESERVOIR
HD SR	250 PSI	33
HD DA	350 PSI	33
T DA / TR DA / TRQ IA	1000 PSI	200
T3SR/ T4SR/ T5SR2,3,4&5 T8SR3,4&5/ TRSR/ TRQSR	1500 PSI	200
T5SR1 / TBSR1&2	2000 PSI	200
G SERIES	3000 PSI	200

NOTES:

- 1** OPTIONS:
 > ONE FLOW CONTROL
 > AUTO RESET
 > SUBMERGED TRIM
- 2** OPTIONS:
 > 2 FLOW CONTROL
 > AUTO RESET
 > BYPASS, INCLUDING 2 FLOW CONTROL
 > SUBMERGED TRIM