

# "A" STYLE BODIES

(OBSOLETE BY "B" STYLE)

## Parts List

# Robotarm<sup>®</sup> Valve Actuators

### MODELS

521 A

522 A

721 A

722 A

731 A

732 A

733 A

522 A-SR

722 A-SR

732 A-SR

733 A-SR



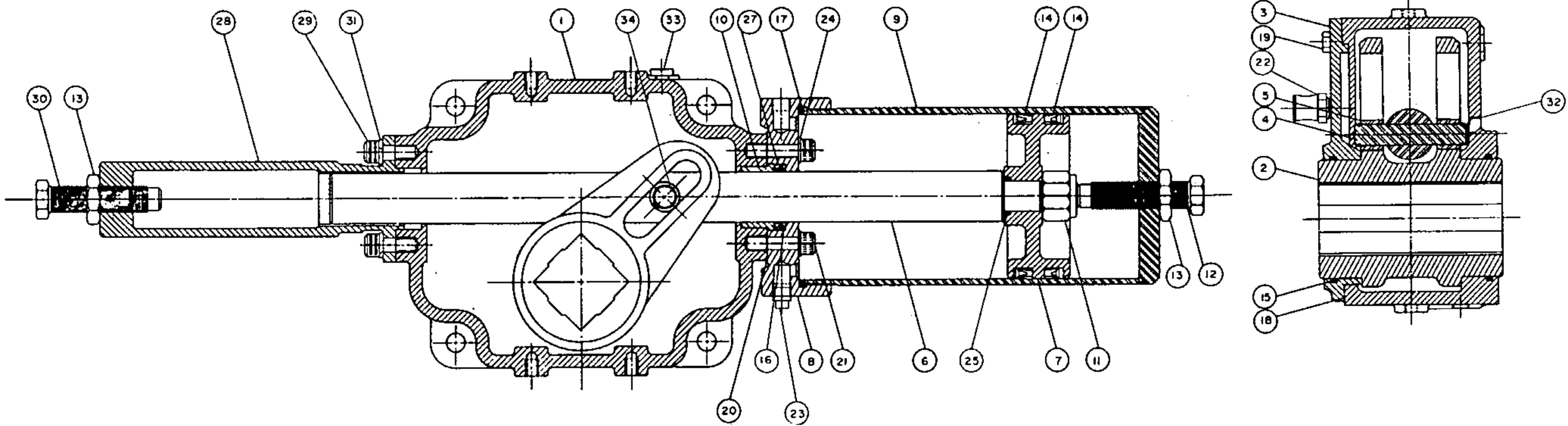
3100 FALL AT GRAND BLVD. • P. O. BOX 14689  
Phone: (713) RI 8-1143 • HOUSTON, TEXAS 77021

Effective May 15, 1970—Printed U.S.A.

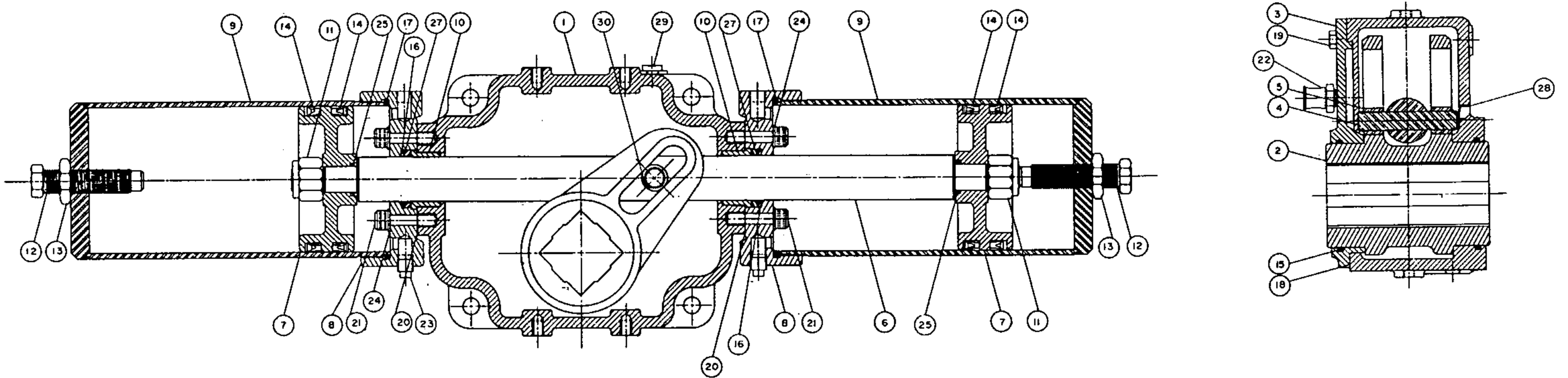
# DOUBLE ACTING ROBOTARM VALVE ACTUATORS

**Always** give the serial number of your actuator when ordering parts.

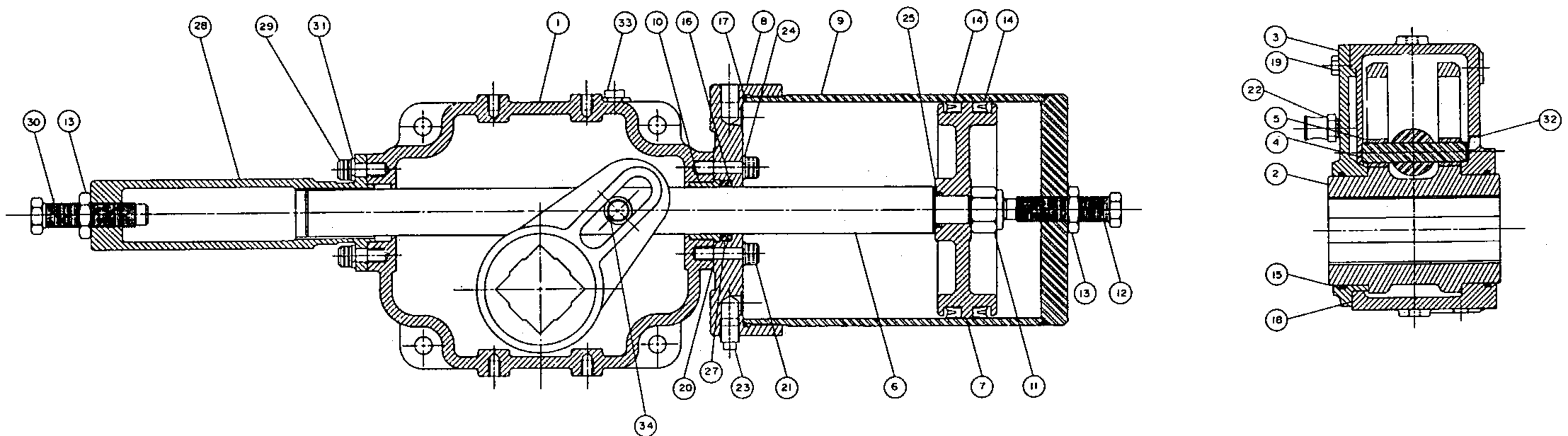
## 521 A



## 522 A



## 721 A



521 A

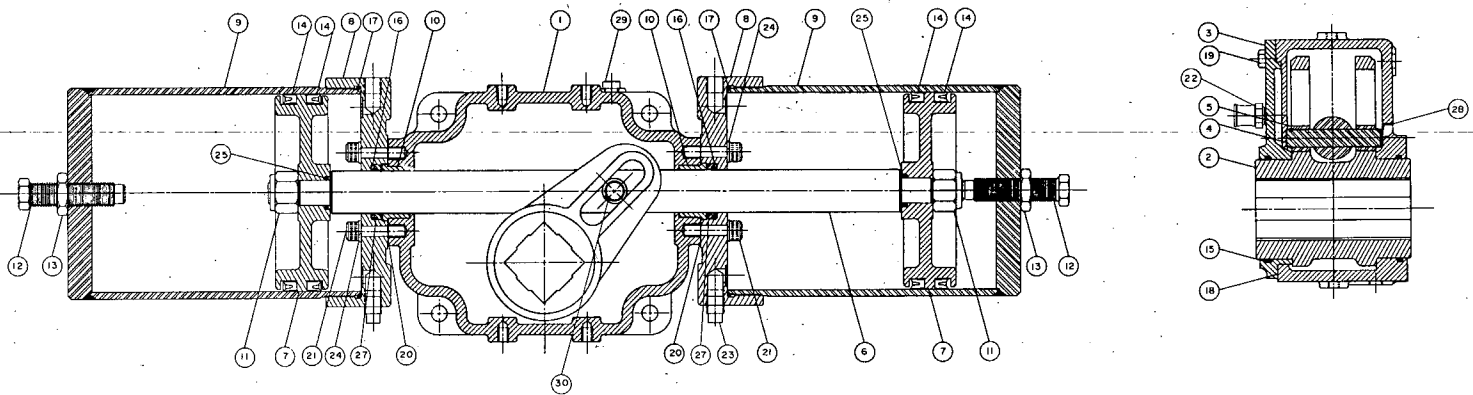
ITEM NO.	PART NO.	DESCRIPTION	MATERIAL	MATERIAL SPEC.	QUAN	SPARE PARTS
1	208838	HOUSING	DUCTILE IRON	ASTM-A445-63T GRADE 60-45-5	1	
2	206097	YOKE	DUCTILE IRON	ASTM-A536-65T GRADE 65-45-12	1	
3	206101	HOUSING COVER	DUCTILE IRON	ASTM-A536-65T GRADE 65-45-12	1	
4	209074	YOKE PIN	STEEL	STRESSPROOF	1	
5	209077	YOKE PIN ROLLER	STEEL	STRESSPROOF	2	
6	209163	PISTON ROD	STEEL	STRESSPROOF	1	
7	209251	PISTON	GRAY IRON	ASTM-A126-6IT CLASS B	1	
8	209175	CYLINDER ADAPTER	DUCTILE IRON	ASTM-A536-65T GRADE 60-45-15	1	
9	209174	CYLINDER	STEEL	TUBING AISI-1018; PLATE ASTM-A285	1	
10	209075	PISTON ROD GUIDE BUSHING	BRONZE	ASTM-B143-52 GRADE 88-10-2	1	
11	209045	PISTON RETAINER NUT	STEEL & NYLON	ASTM-A194-65 GRADE 2	1	
12	210408	STOP ADJUSTING SCREW W/PORT	STEEL	45/53 Rc	1	
13	210306	ADJUSTING SCREW JAM NUT	STEEL	ASTM-A194-65 GRADE 1	2	
14	202312	PISTON SEAL	BUNA-N	DURO 70A	2	2
15	205238	YOKE SEAL	BUNA-N	DURO 70A	2	2
16	210827	PISTON ROD SEAL	BUNA-N	DURO 65A	1	1
17	208962	CYLINDER SEAL	BUNA-N	DURO 70A	1	1
18	209078	HOUSING COVER GASKET	COMPRESSED ASBESTOS	ASTM - D1170	1	1
19	209047	HOUSING COVER SCREW	STEEL	ASTM - A307-65 GRADE A	6	
20	209079	CYLINDER ADAPTER GASKET	COMPRESSED ASBESTOS	ASTM - D1170	2	2
21	209046	CYLINDER ADAPTER SCREW	STEEL	38/42 Rc	4	
22	BMI1967	SNUBBER VALVE	ALUM;BUNA-N;NEOPRENE	ASTM-B211, DURO 50A, DURO 70A	1	
23	203727	CYLINDER ADAPTER PLUG	STEEL	COMMERICAL	2	
24	204771	ADAPTER SCREW LOCK WASHER	STEEL	COMMERICAL	4	
25	205212	PISTON HEAD SEAL	BUNA-N	DURO 70A	1	1
26	203294	SERIAL NUMBER TAG	ALUMINUM	B-211	1	
27	210915	PISTON ROD ANTI-EXTRUSION SEAL	MOLYTHANE	CUP: DURO 90, O-RING: DURO 70A	1 SET	1 SET
28	211550	PISTON ROD COVER	DUCTILE IRON	ASTM-A536 GRADE 60-40-18	1	
29	212739	ROD COVER SCREW	STEEL	38/42 Rc	4	
30	210414	SOLID STOP SCREW	STEEL	45/53 Rc	1	
31	204771	ROD COVER SCREW LOCK WASHER	STEEL	COMMERICAL	4	
32	204907	CORE PLUG	STEEL	COMMERICAL	1	
33	204632	DRAIN PLUG	STEEL	COMMERICAL	2	
34	209018	PIN RETAINER	STEEL	SAE 1075	2	

522 A

ITEM NO.	PART NO.	DESCRIPTION	MATERIAL	MATERIAL SPEC.	QUAN	SPARE PARTS
1	208838	HOUSING	DUCTILE IRON	ASTM-A445-63T GRADE 60-45-5	1	
2	206097	YOKE	DUCTILE IRON	ASTM-A536-65T GRADE 65-45-12	1	
3	206101	HOUSING COVER	DUCTILE IRON	ASTM-A536-65T GRADE 65-45-12	1	
4	209074	YOKE PIN	STEEL	STRESSPROOF	1	
5	209077	YOKE PIN ROLLER	STEEL	STRESSPROOF	1	
6	209158	PISTON ROD	STEEL	STRESSPROOF	2	
7	209251	PISTON	GRAY IRON	ASTM-A126-6IT CLASS B	1	
8	209175	CYLINDER ADAPTER	DUCTILE IRON	ASTM-A536-65T GRADE 60-45-15	2	
9	209174	CYLINDER	STEEL	TUBING AISI-1018; PLATE ASTM-A285	2	
10	209075	PISTON ROD GUIDE BUSHING	BRONZE	ASTM-B143-52 GRADE 88-10-2	2	
11	209045	PISTON RETAINER NUT	STEEL & NYLON	ASTM-A194-65 GRADE 2	2	
12	210408	STOP ADJUSTING SCREW	STEEL	45/53 Rc	2	
13	210306	ADJUSTING SCREW JAM NUT	STEEL	ASTM-A194-65 GRADE 1	2	
14	202312	PISTON SEAL	BUNA-N	DURO 70A	4	4
15	205238	YOKE SEAL	BUNA-N	DURO 70A	2	2
16	210827	PISTON ROD SEAL	BUNA-N	DURO 65A	2	2
17	208962	CYLINDER SEAL	BUNA-N	DURO 70A	2	2
18	209078	HOUSING COVER GASKET	COMPRESSED ASBESTOS	ASTM - D1170	1	
19	209047	HOUSING COVER SCREW	STEEL	ASTM - A307-65 GRADE A	6	1
20	209079	CYLINDER ADAPTER GASKET	COMPRESSED ASBESTOS	ASTM - D1170	2	2
21	209046	CYLINDER ADAPTER SCREW	STEEL	38/42 Rc	8	
22	BMI1967	SNUBBER VALVE	ALUM;BUNA-N;NEOPRENE	ASTM-B211, DURO 50A, DURO 70A	1	
23	203727	CYLINDER ADAPTER PLUG	STEEL	COMMERICAL	4	
24	204771	ADAPTER SCREW LOCK WASHER	STEEL	COMMERICAL	8	
25	205212	PISTON HEAD SEAL	BUNA-N	DURO 70A	2	2
26	203294	SERIAL NUMBER TAG	ALUMINUM	B-211	1	
27	210915	PISTON ROD ANTI-EXTRUSION SEAL	MOLYTHANE	CUP: DURO 90, O-RING: DURO 70A	2 SETS	2 SETS
28	204907	CORE PLUG	STEEL	COMMERICAL	1	
29	204632	DRAIN PLUG	STEEL	COMMERICAL	2	
30	209018	PIN RETAINER	STEEL	SAE 1075	2	

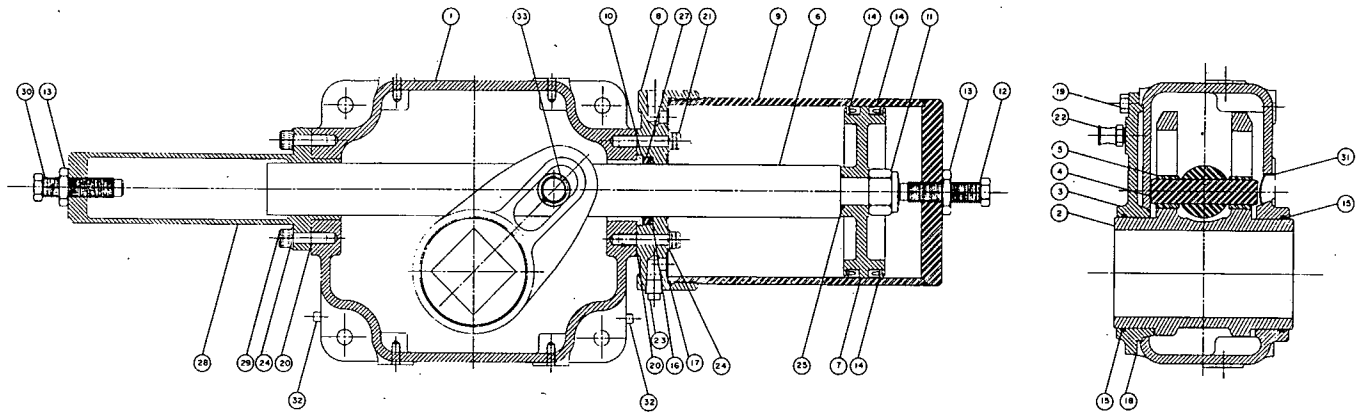
721 A

ITEM NO.	PART NO.	DESCRIPTION	MATERIAL	MATERIAL SPEC.	QUAN	SPARE PARTS
1	208838	HOUSING	DUCTILE IRON	ASTM-A445-63T GRADE 60-45-5	1	
2	206097	YOKE	DUCTILE IRON	ASTM-A536-65T GRADE 65-45-12	1	
3	206101	HOUSING COVER	DUCTILE IRON	ASTM-A536-65T GRADE 65-45-12	1	
4	209074	YOKE PIN	STEEL	STRESSPROOF	1	
5	209077	YOKE PIN ROLLER	STEEL	STRESSPROOF	2	
6	209163	PISTON ROD	STEEL	STRESSPROOF	1	
7	202155	PISTON	GRAY IRON	ASTM-A126-6IT CLASS B	1	
8	209157	CYLINDER ADAPTER	DUCTILE IRON	ASTM-A536-65T GRADE 60-45-15	1	
9	206136	CYLINDER	STEEL	TUBING AISI-1018; PLATE ASTM-A285	1	
10	209075	PISTON ROD GUIDE BUSHING	BRONZE	ASTM-B143-52 GRADE 88-10-2	1	
11	209045	PISTON RETAINER NUT	STEEL & NYLON	ASTM-A194-65 GRADE 2	1	
12	210408	STOP ADJUSTING SCREW W/PORT	STEEL	45/53 Rc	1	
13	210306	ADJUSTING SCREW JAM NUT	STEEL	ASTM-A194-65 GRADE 1	2	
14	208387	PISTON SEAL	BUNA-N	DURO 70A	2	2
15	205238	YOKE SEAL	BUNA-N	DURO 70A	2	2
16	210827	PISTON ROD SEAL	BUNA-N	DURO 65A	1	1
17	208383	CYLINDER SEAL	BUNA-N	DURO 70A	1	1
18	209078	HOUSING COVER GASKET	COMPRESSED ASBESTOS	ASTM - D1170	1	1
19	209047	HOUSING COVER SCREW	STEEL	ASTM - A307-65 GRADE A	6	
20	209079	CYLINDER ADAPTER GASKET	COMPRESSED ASBESTOS	ASTM - D1170	2	2
21	209046	CYLINDER ADAPTER SCREW	STEEL	38/42 Rc	4	
22	BMI1967	SNUBBER VALVE	ALUM;BUNA-N;NEOPRENE	ASTM-B-211, DURO 50A, DURO 70A	1	
23	203727	CYLINDER ADAPTER PLUG	STEEL	COMMERICAL	4	
24	204771	ADAPTER SCREW LOCK WASHER	STEEL	COMMERICAL	4	
25	205212	PISTON HEAD SEAL	BUNA-N	DURO 70A	1	1
26	203294	SERIAL NUMBER TAG	ALUMINUM	B-211	1	
27	210915	PISTON ROD ANTI-EXTRUSION SEAL	MOLYTHANE	CUP: DURO 90, O-RING: DURO 70A	1 SET	1 SET
28	211550	PISTON ROD COVER	DUCTILE IRON	ASTM-A536 GRADE 60-40-18	1	
29	212739	ROD COVER SCREW	STEEL	38/42 Rc	4	
30	210414	SOLID STOP SCREW	STEEL	45/53 Rc	1	
31	204771	ROD COVER SCREW LOCK WASHER	STEEL	COMMERICAL	4	
32	204907	CORE PLUG	STEEL	COMMERICAL	1	
33	204632	DRAIN PLUG	STEEL	COMMERICAL	2	
34	209018	PIN RETAINER	STEEL	SAE 1075	2	



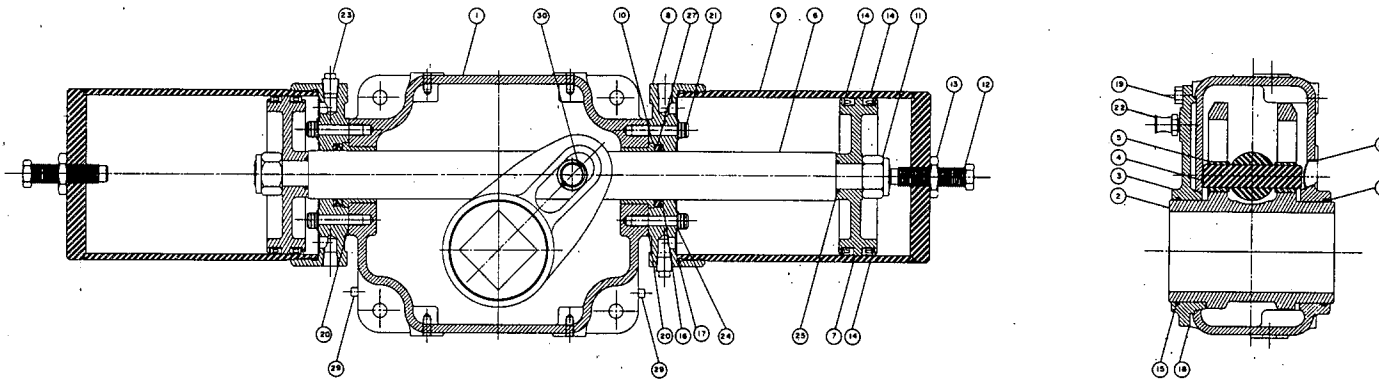
## 722 A

ITEM NO.	PART NO.	DESCRIPTION	MATERIAL	MATERIAL SPEC.	QUAN.	SPARE PARTS
1	208838	HOUSING	DUCTILE IRON	ASTM-A445-63T GRADE 60-45-15	1	
2	206097	YOKE	DUCTILE IRON	ASTM-A536-65T GRADE 65-45-12	1	
3	206101	HOUSING COVER	DUCTILE IRON	ASTM-A536-65T GRADE 65-45-12	1	
4	209074	YOKE PIN	STEEL	STRESSPROOF	1	
5	209077	YOKE PIN ROLLER	STEEL	STRESSPROOF	2	
6	209158	PISTON ROD	STEEL	STRESSPROOF	1	
7	202155	PISTON	GRAY IRON	ASTM-A126-61T CLASS B	2	
8	209157	CYLINDER ADAPTER	DUCTILE IRON	ASTM-A536-65T GRADE 60-45-15	2	
9	206136	CYLINDER	STEEL	TUBING: AISI-1018; PLATE: ASTM-A285	2	
10	209075	PISTON ROD GUIDE BUSHING	BRONZE	ASTM-B143-52 GRADE 88-10-2	2	
11	209045	PISTON RETAINER NUT	STEEL & NYLON	ASTM-A194-65 GRADE 2	2	
12	210408	STOP ADJUSTING SCREW	STEEL	45/53 Rc	2	
13	210306	ADJUSTING SCREW JAM NUT	STEEL	ASTM-A194-65 GRADE 1	2	
14	208387	PISTON SEAL	BUNA-N	DURO 70A	4	4
15	205238	YOKE SEAL	BUNA-N	DURO 70A	2	2
16	210827	PISTON ROD SEAL	BUNA-N	DURO 65A	2	2
17	208383	CYLINDER SEAL	BUNA-N	DURO 70A	2	2
18	209078	HOUSING COVER GASKET	COMPRESSED ASBESTOS	ASTM-D1170	1	1
19	209047	HOUSING COVER SCREW	STEEL	ASTM-A307-65 GRADE A	6	
20	209079	CYLINDER ADAPTER GASKET	COMPRESSED ASBESTOS	ASTM-D1170	2	2
21	209046	CYLINDER ADAPTER SCREW	STEEL	38/42 Rc	8	
22	BM11967	SNUBBER VALVE	ALUM, BUNA-N, NEOPRENE	ASTM B-211; DURO 50A; DURO 70A	1	
23	203727	CYLINDER ADAPTER PLUG	STEEL	COMMERICAL	4	
24	204771	ADAPTER SCREW LOCK WASHER	STEEL	COMMERICAL	8	
25	205212	PISTON HEAD SEAL	BUNA-N	DURO 70A	2	2
26	203294	SERIAL NUMBER TAG	ALUMINUM	B-211	1	
27	210915	PISTON ROD ANTI-EXTRUSION SEAL	MOLYTHANE	CUP: DURO 90, O-RING: DURO 70A	2 SETS	2 SETS
28	204907	CORE PLUG	STEEL	COMMERICAL	1	
29	204632	DRAIN PLUG	STEEL	COMMERICAL	2	
30	209018	PIN RETAINER	STEEL	SAE 1075	2	



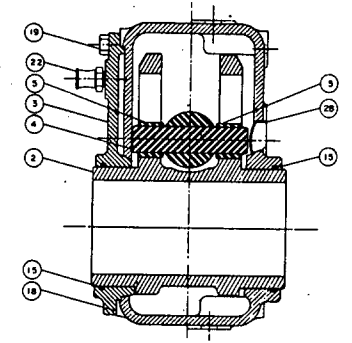
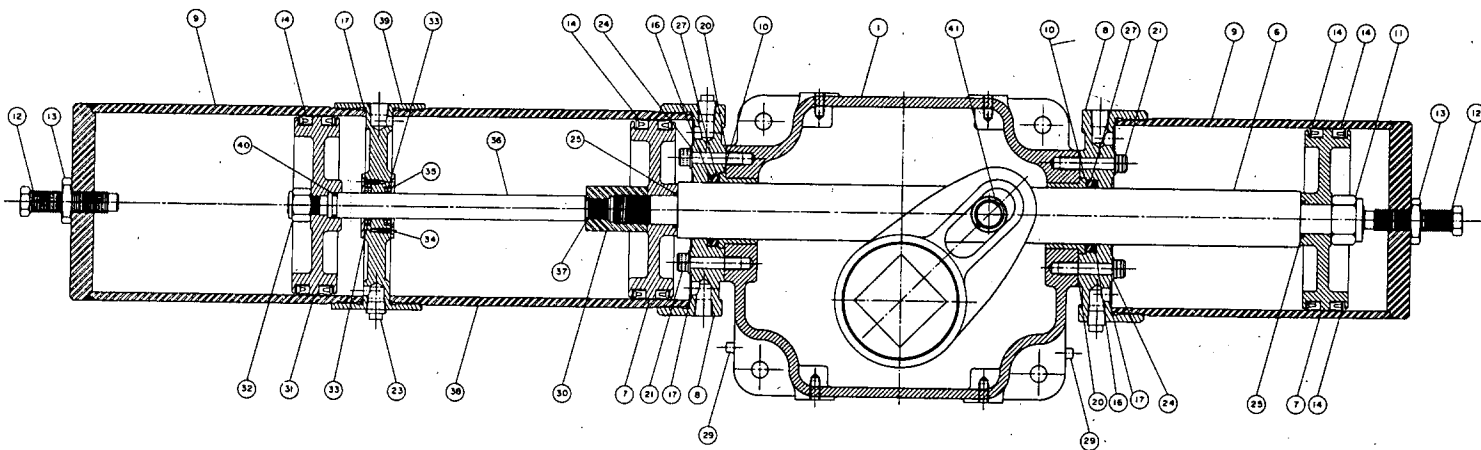
### 731 A

ITEM NO.	PART NO.	DESCRIPTION	MATERIAL	MATERIAL SPEC.	QUAN	SPARE PARTS
1	208837	HOUSING	DUCTILE IRON	ASTM-A445-63T GRADE 60-45-15	1	
2	206048	YOKE	DUCTILE IRON	ASTM-A536-65T GRADE 65-45-12	1	
3	206044	HOUSING COVER	DUCTILE IRON	ASTM-A536-65T GRADE 65-45-12	1	
4	209098	YOKE PIN	STEEL	STRESSPROOF	1	
5	209097	YOKE PIN ROLLER	STEEL	STRESSPROOF	2	
6	209273	PISTON ROD	STEEL	STRESSPROOF	1	
7	203780	PISTON	GRAY IRON	ASTM-A126-61T CLASS B	1	
8	202062	CYLINDER ADAPTER	DUCTILE IRON	ASTM-A536-65T GRADE 60-45-15	1	
9	206137	CYLINDER	STEEL	TUBING-A151-108, PLATE-ASTM-A285	1	
10	209096	PISTON ROD GUIDE BUSHING	BRONZE	ASTM-B143-1A GRADE 88-10-2	1	
11	208388	PISTON RETAINER NUT	STEEL & NYLON	ASTM-A194-65 GRADE 2	1	
12	210408	STOP ADJUSTING SCREW W/ PORT	STEEL	ASTM-A108 GRADE C-1018/20	1	
13	210306	ADJUSTING SCREW JAM NUT	STEEL & TEFLON	AISI-B1113	2	
14	208387	PISTON SEAL	BUNA-N	DURO 70A	2	2
15	205246	YOKE SEAL	BUNA-N	DURO 70A	2	2
16	210828	PISTON ROD SEAL	BUNA-N	DURO 65A	1	1
17	208383	CYLINDER SEAL	BUNA-N	DURO 70A	1	1
18	209093	HOUSING COVER GASKET	COMPRESSED ASBESTOS	ASTM-D1170	1	1
19	208969	HOUSING COVER SCREW	STEEL	ASTM-A307-65 GRADE A	8	
20	209094	CYLINDER ADAPTER GASKET	COMPRESSED ASBESTOS	ASTM-D1170	2	2
21	204670	CYLINDER ADAPTER SCREW	STEEL	COMMERICAL Rc	4	
22	BMI1967	SNUBBER VALVE	ALUM; BUNA-N; NEOPRENE	ASTM-B211; DURO 50A; DURO 70A	1	
23	203727	CYLINDER ADAPTER PLUG	STEEL	COMMERICAL	2	
24	209017	ADAPTER SCREW LOCK WASHER	STEEL	COMMERICAL	8	
25	205216	PISTON HEAD SEAL	BUNA-N	DURO 70A	1	1
26	203294	SERIAL NUMBER TAG	ALUMINUM	B-211	1	
27	210921	PISTON ROD ANTI-EXTRUSION SEAL	MOLYTHANE	CUP-DURO 90; O-RING-DURO 70A	1 SET	1 SET
28	209266	PISTON ROD COVER	DUCTILE IRON	ASTM-A536 GRADE-60-40-18	1	
29	204650	ROD COVER SCREW	STEEL	38/42 Rc	4	
30	210414	SOLID STOP SCREW	STEEL	ASTM-A108 GRADE C-1018/20	1	
31	202805	CORE PLUG	STEEL	COMMERICAL	1	
32	203727	DRAIN PLUG	STEEL	COMMERICAL	2	
33	208384	PIN RETAINER	STEEL	SAE 1075	2	



### 732 A

ITEM NO.	PART NO.	DESCRIPTION	MATERIAL	MATERIAL SPEC.	QUAN	SPARE PARTS
1	208837	HOUSING	DUCTILE IRON	ASTM-A445-63T GRADE 60-45-15	1	
2	206048	YOKE	DUCTILE IRON	ASTM-A536-65T GRADE 65-45-12	1	
3	206044	HOUSING COVER	DUCTILE IRON	ASTM-A536-65T GRADE 65-45-12	1	
4	209098	YOKE PIN	STEEL	STRESSPROOF	1	
5	209097	YOKE PIN ROLLER	STEEL	STRESSPROOF	2	
6	209275	PISTON ROD	STEEL	STRESSPROOF	1	
7	203780	PISTON	GRAY IRON	ASTM-A126-61T CLASS B	2	
8	202062	CYLINDER ADAPTER	DUCTILE IRON	ASTM-A536-65T GRADE 60-45-15	2	
9	206137	CYLINDER	STEEL	TUBING: AISI-1018; PLATE: ASTM-A285	2	
10	209096	PISTON ROD GUIDE BUSHING	BRONZE	ASTM-B143-1A GRADE 88-10-2	2	
11	208388	PISTON RETAINER NUT	STEEL & NYLON	ASTM-A194-65 GRADE 2	2	
12	210408	STOP ADJUSTING SCREW	STEEL	ASTM-A108 GRADE C-1018/20	2	
13	210306	ADJUSTING SCREW JAM NUT	STEEL & TEFLON	AISI-B1113	2	
14	208387	PISTON SEAL	BUNA-N	DURO 70A	4	4
15	205246	YOKE SEAL	BUNA-N	DURO 70A	2	2
16	210828	PISTON ROD SEAL	BUNA-N	DURO 65A	2	2
17	208383	CYLINDER SEAL	BUNA-N	DURO 70A	2	2
18	209093	HOUSING COVER GASKET	COMPRESSED ASBESTOS	ASTM-D1170	1	1
19	208969	HOUSING COVER SCREW	STEEL	ASTM-A307-65 GRADE A	8	
20	209094	CYLINDER ADAPTER GASKET	COMPRESSED ASBESTOS	ASTM-D1170	2	2
21	204670	CYLINDER ADAPTER SCREW	STEEL	COMMERICAL Rc	8	
22	BMI1967	SNUBBER VALVE	ALUM; BUNA-N; NEOPRENE	ASTM-B211; DURO 50A; DURO 70A	1	
23	203727	CYLINDER ADAPTER PLUG	STEEL	COMMERICAL	4	
24	209017	ADAPTER SCREW LOCK WASHER	STEEL	COMMERICAL	8	
25	205216	PISTON HEAD SEAL	BUNA-N	DURO 70A	2	2
26	203294	SERIAL NUMBER TAG	ALUMINUM	B-211	1	
27	210921	PISTON ROD ANTI-EXTRUSION SEAL	MOLYTHANE	CUP: DURO 90A; O-RING: DURO 70A	2 SETS	2 SETS
28	202805	CORE PLUG	STEEL	COMMERICAL	1	
29	203727	DRAIN PLUG	STEEL	COMMERICAL	2	
30	208384	PIN RETAINER	STEEL	SAE 1075	2	



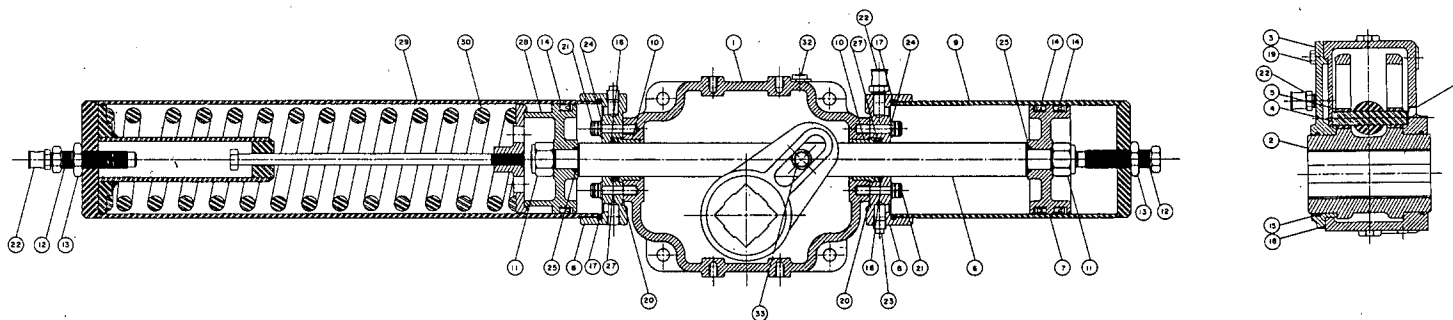
### 733 A

**NOTE: THIS UNIT  
PREVIOUSLY  
IDENTIFIED  
AS 2732A.**

ITEM NO.	PART NO.	DESCRIPTION	MATERIAL	MATERIAL SPEC.	QUAN.	SPARE PARTS
1	208837	HOUSING	DUCTILE IRON	ASTM-A445-63T GRADE 60-45-15	1	
2	206048	YOKE	DUCTILE IRON	ASTM-A536-65T GRADE 65-45-12	1	
3	206044	HOUSING COVER	DUCTILE IRON	ASTM-A536-65T GRADE 65-45-12	1	
4	209098	YOKE PIN	STEEL	STRESSPROOF	1	
5	209097	YOKE PIN ROLLER	STEEL	STRESSPROOF	1	
6	209275	PISTON ROD	STEEL	STRESSPROOF	2	
7	203780	PISTON	GRAY IRON	ASTM-AI26-61T CLASS B	1	
8	202062	CYLINDER ADAPTER	DUCTILE IRON	ASTM-A536-65T GRADE 60-45-15	2	
9	206137	CYLINDER	STEEL	TUBING: AISI-1018, PLATE: ASTM-A7	2	
10	209096	PISTON ROD GUIDE BUSHING	BRONZE	ASTM-B143-1A GRADE 88-10-2	2	
11	208388	PISTON RETAINER NUT	STEEL & NYLON	ASTM-A194-65 GRADE 2	2	
12	210408	STOP ADJUSTING SCREW	STEEL	ASTM-A108 GRADE C-1018/20	1	
13	210306	ADJUSTING SCREW JAM NUT	STEEL & TEFLON	AISI-B1113	2	
14	208387	PISTON SEAL	BUNA-N	DURO 70A	6	6
15	205246	YOKE SEAL	BUNA-N	DURO 70A	2	2
16	210828	PISTON ROD SEAL	BUNA-N	DURO 65A	2	2
17	208383	CYLINDER SEAL	BUNA-N	DURO 70A	4	4
18	209093	HOUSING COVER GASKET	COMPRESSED ASBESTOS	ASTM-D1170	1	1
19	208969	HOUSING COVER SCREW	STEEL	ASTM-A307-65 GRADE A	8	
20	209094	CYLINDER ADAPTER GASKET	COMPRESSED ASBESTOS	ASTM-D1170	2	2
21	204670	CYLINDER ADAPTER SCREW	STEEL	COMMERICAL Rc	8	
22	BMI1967	SNUBBER VALVE	ALUM; BUNA-N; NEOPRENE	ASTM-B211; DURO 50A, DURO 70A	1	
23	203727	CYLINDER ADAPTER PLUG	STEEL	COMMERICAL	6	
24	209017	ADAPTER SCREW LOCK WASHER	STEEL	COMMERICAL	8	
25	205216	PISTON HEAD SEAL	BUNA-N	DURO-70A	2	2
26	203294	SERIAL NUMBER TAG	ALUMINUM	B-211	1	
27	210921	PISTON ROD ANTI-EXTRUSION SEAL	MOLYTHANE	CUP: DURO, 90, O-RING: DURO 70A	2 SETS	2 SETS
28	202805	CORE PLUG	STEEL	COMMERICAL	1	
29	203727	DRAIN PLUG	STEEL	COMMERICAL	2	
30	209092	PISTON ROD ADAPTER	STEEL	ASTM-A108 GRADE C-1018/20	1	
31	204824	OUTER PISTON	GRAY IRON	ASTM-AI26-61T CLASS B	1	
32	209013	OUTER PISTON RETAINER NUT	STEEL & NYLON	ASTM-A194-65 GRADE 2	1	
33	209015	OUTER PISTON ROD SEAL	BUNA-N w/ FIBER BACK	DURO 70A	1 SET	1 SET
34	203925	FLAT HEAD SCREW	BRASS	COMMERICAL	6	
35	210581	ROD SEAL RETAINER	STEEL	ASTM-A108 GRADE C-1018/20	2	
36	209270	OUTER PISTON ROD	STEEL	STRESSPROOF	1	
37	211762	OUTER PISTON ROD LOCK WASHER	STEEL	COMMERICAL	1	
38	206042	INNER CYLINDER	STEEL	AISI-1018	1	
39	201205	OUTER BODY	DUCTILE IRON	ASTM-A536-65T GRADE 60-45-10	1	
40	205210	OUTER PISTON HEAD SEAL	BUNA-N	DURO 70A	1	1
41	208384	PIN RETAINER	STEEL	SAE 1075	2	

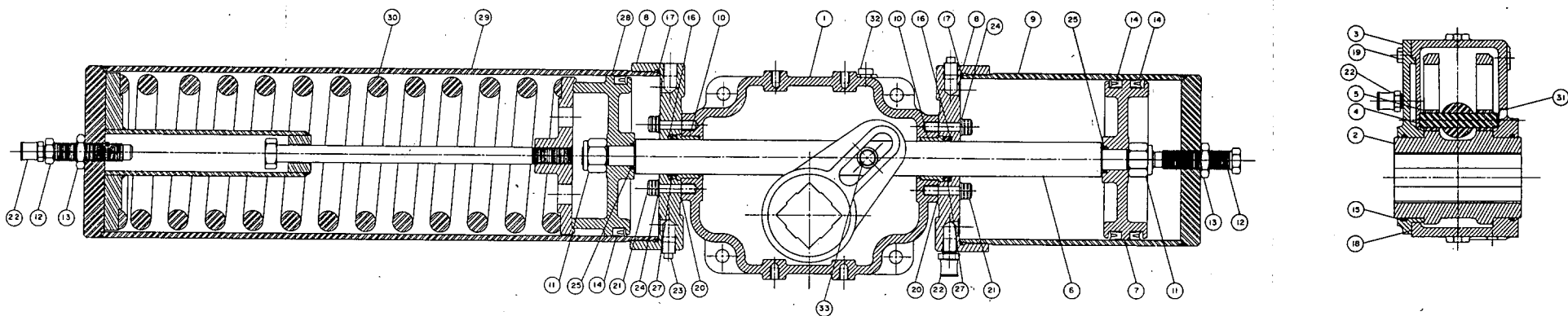
# SPRING RETURN ROBOTARM VALVE ACTUATORS

**Always** give the serial number of your actuator when ordering parts.



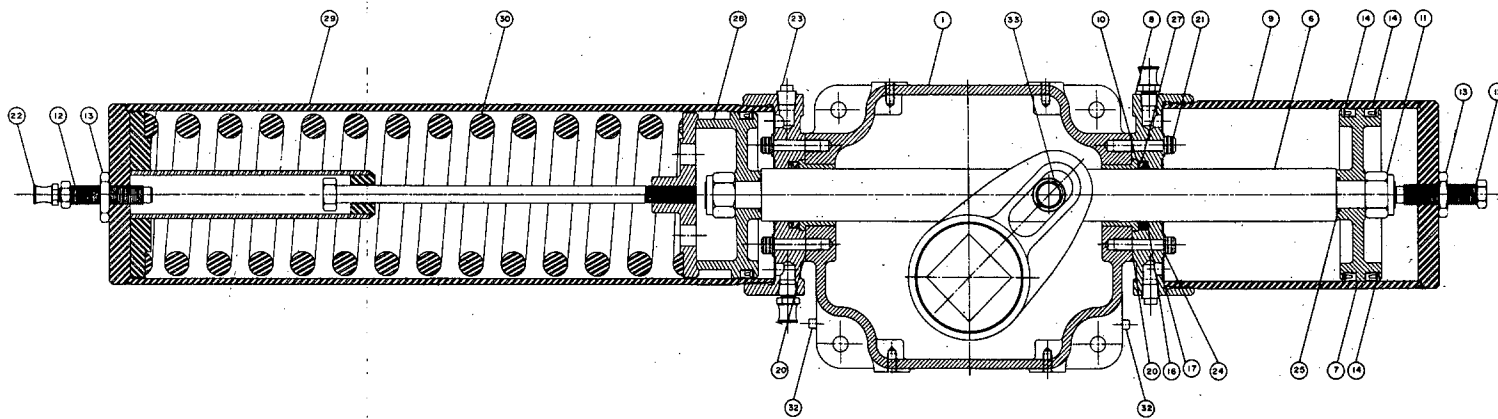
## 522 A-SR

ITEM NO.	PART NO.	DESCRIPTION	MATERIAL	MATERIAL SPEC.	QUAN	SPARE PARTS
1	208838	HOUSING	DUCTILE IRON	ASTM-A445-63T GRADE 60-45-15	1	
2	206097	YOKE	DUCTILE IRON	ASTM-A 536-65T GRADE 65-45-12	1	
3	206101	HOUSING COVER	DUCTILE IRON	ASTM-A536-65T GRADE 65-45-12	1	
4	209074	YOKE PIN	STEEL	STRESSPROOF	1	
5	209077	YOKE PIN ROLLER	STEEL	STRESSPROOF	2	
6	209158	PISTON ROD	STEEL	STRESSPROOF	1	
7	209251	PISTON	GRAY IRON	ASTM-A126-61T CLASS B	1	
8	209175	CYLINDER ADAPTER	DUCTILE IRON	ASTM-A536-65T GRADE 60-45-15	2	
9	209174	CYLINDER	STEEL	TUBING· AISI-1018; PLATE· ASTM·A285	1	
10	209075	PISTON ROD GUIDE BUSHING	BRONZE	ASTM-B143-52 GRADE 88-10-2	2	
11	209045	PISTON RETAINER NUT	STEEL & NYLON	ASTM-A194-65 GRADE 2	2	
12	210408	STOP ADJUSTING SCREW	STEEL	45/53 Rc	2	
13	210306	ADJUSTING SCREW JAM NUT	STEEL	ASTM-A194-65 GRADE 1	2	
14	202312	PISTON SEAL	BUNA-N	DURO 70A	3	3
15	205238	YOKE SEAL	BUNA-N	DURO 70A	2	2
16	210827	PISTON ROD SEAL	BUNA-N	DURO 65A	2	2
17	208962	CYLINDER SEAL	BUNA-N	DURO 70A	2	2
18	209078	HOUSING COVER GASKET	COMPRESSED ASBESTOS	ASTM - D1170	1	1
19	209047	HOUSING COVER SCREW	STEEL	ASTM- A307-65 GRADE A	6	
20	209079	CYLINDER ADAPTER GASKET	COMPRESSED ASBESTOS	ASTM- D1170	2	2
21	209046	CYLINDER ADAPTER SCREW	STEEL	38/42 Rc	8	
22	BM11967	SNUBBER VALVE	ALUM, BUNA-N, NEOPRENE	ASTM-B211, DURO 50A, DURO 70A	3	
23	203727	CYLINDER ADAPTER PLUG	STEEL	COMMERICAL	4	
24	204771	ADAPTER SCREW LOCK WASHER	STEEL	COMMERICAL	8	
25	205212	PISTON HEAD SEAL	BUNA-N	DURO 70A	2	2
26	203294	SERIAL NUMBER TAG	ALUMINUM	B-211	1	
27	210915	PISTON ROD ANTI-EXTRUSION SEAL	MOLYTHANE	CUP· DURO 90; O-RING· DURO 70A	2-SETS	2-SETS
28	208396	SPRING PISTON	GRAY IRON	ASTM-A126-61T GRADE B	1	
29		SPRING CYLINDER	STEEL	TUBING AISI-1018; PLATE·ASTM-A285	1	
30		SPRING ASSEMBLY	STEEL & DUCTILE IRON		1	
31	204907	CORE PLUG	STEEL	COMMERICAL	1	
32	204632	DRAIN PLUG	STEEL	COMMERICAL	2	
33	209018	PIN RETAINER	STEEL	SAE 1075	2	



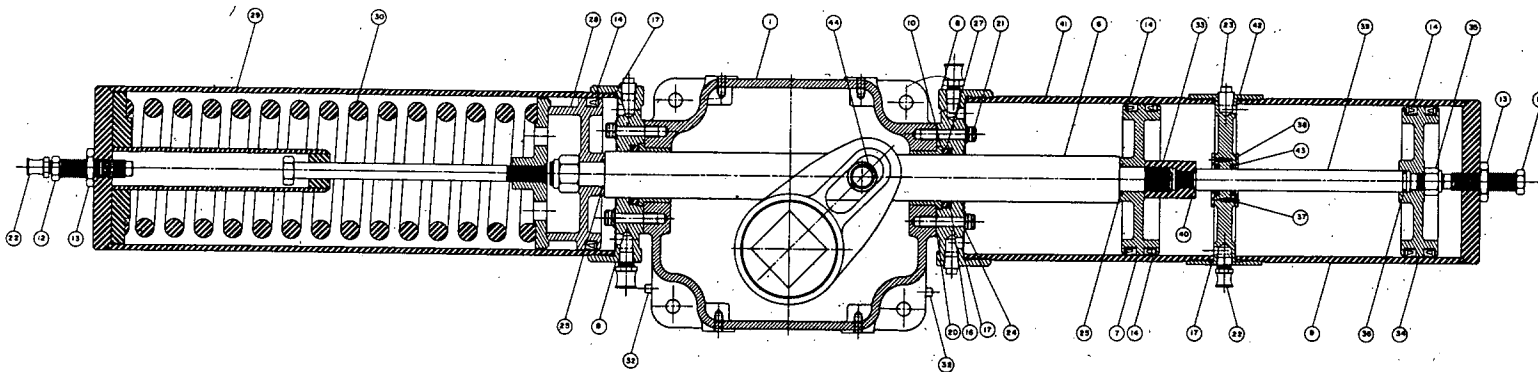
### 722 A-SR

ITEM NO.	PART NO.	DESCRIPTION	MATERIAL	MATERIAL SPEC.	QUAN.	SPARE PARTS
1	208838	HOUSING	DUCTILE IRON	ASTM-A445-63T GRADE 60-45-15	1	
2	206097	YOKE	DUCTILE IRON	ASTM-A 536-65T GRADE 65-45-12	1	
3	206101	HOUSING COVER	DUCTILE IRON	ASTM-A536-65T GRADE 65-45-12	1	
4	209074	YOKE PIN	STEEL	STRESSPROOF	1	
5	209077	YOKE PIN ROLLER	STEEL	STRESSPROOF	2	
6	209158	PISTON ROD	STEEL	STRESSPROOF	1	
7	202155	PISTON	GRAY IRON	ASTM-A126-61T CLASS B	1	
8	209157	CYLINDER ADAPTER	DUCTILE IRON	ASTM-A536-65T GRADE 60-45-15	2	
9	206136	CYLINDER	STEEL	TUBING-AISI-1018; PLATE-ASTM-A285	1	
10	209075	PISTON ROD GUIDE BUSHING	BRONZE	ASTM-B143-52 GRADE 88-10-2	2	
11	209045	PISTON RETAINER NUT	STEEL & NYLON	ASTM-A194-65 GRADE 2	2	
12	210408	STOP ADJUSTING SCREW	STEEL	45/53 Rc	2	
13	210306	ADJUSTING SCREW JAM NUT	STEEL	ASTM-A194-65 GRADE 1	2	
14	208387	PISTON SEAL	BUNA-N	DURO 70A	3	3
15	205238	YOKE SEAL	BUNA-N	DURO 70A	2	2
16	210827	PISTON ROD SEAL	BUNA-N	DURO 65A	2	2
17	208383	CYLINDER SEAL	BUNA-N	DURO 70A	2	2
18	209078	HOUSING COVER GASKET	COMPRESSED ASBESTOS	ASTM - D1170	1	1
19	209047	HOUSING COVER SCREW	STEEL	ASTM - A307-65 GRADE A	6	
20	209079	CYLINDER ADAPTER GASKET	COMPRESSED ASBESTOS	ASTM- D1170	2	2
21	209046	CYLINDER ADAPTER SCREW	STEEL	38/42 Rc	8	
22	BMI1967	SNUBBER VALVE	ALUM,BUNA-N, NEOPRENE	ASTM-B211; DURO 50A, DURO 70A	3	
23	203727	CYLINDER ADAPTER PLUG	STEEL	COMMERICAL	4	
24	204771	ADAPTER SCREW LOCK WASHER	STEEL	COMMERICAL	8	
25	205212	PISTON HEAD SEAL	BUNA-N	DURO 70A	2	2
26	203294	SERIAL NUMBER TAG	ALUMINUM	B-211	1	
27	210915	PISTON ROD ANTI-EXTRUSION SEAL	MOLYTHANE	CUP-DURO 90, O-RING: DURO 70A	2 SETS	2 SETS
28	202191	SPRING PISTON	GRAY IRON	ASTM-A126- 61T GRADE B	1	
29		SPRING CYLINDER	STEEL	TUBING-AISI-1018; PLATE-ASTM-A285	1	
30		SPRING ASSEMBLY	STEEL & DUCTILE IRON		1	
31	204907	CORE PLUG	STEEL	COMMERICAL	1	
32	204632	DRAIN PLUG	STEEL	COMMERICAL	2	
33	209018	PIN RETAINER	STEEL	SAE 1075	2	



### 732 A-SR

ITEM NO.	PART NO.	DESCRIPTION	MATERIAL	MATERIAL SPEC.	QUAN	SPARE PARTS
1	208837	HOUSING	DUCTILE IRON	ASTM-A445-63T GRADE 60-45-15	1	
2	206048	YOKE	DUCTILE IRON	ASTM-A 536-65 T GRADE 65-45-12	1	
3	206044	HOUSING COVER	DUCTILE IRON	ASTM-A536-65T GRADE 65-45-12	1	
4	209098	YOKE PIN	STEEL	STRESSPROOF	1	
5	209097	YOKE PIN ROLLER	STEEL	STRESSPROOF	2	
6	209275	PISTON ROD	STEEL	STRESSPROOF	1	
7	203780	PISTON	GRAY IRON	ASTM-AI26-6IT CLASS B	1	
8	202062	CYLINDER ADAPTER	DUCTILE IRON	ASTM-A536-65T GRADE 60-45-15	2	
9	206037	CYLINDER	STEEL	TUBING· AISI-1018; PLATE·ASTM-A285	1	
10	209096	PISTON ROD GUIDE BUSHING	BRONZE	ASTM-B143-1A GRADE 88-10-2	2	
11	208388	PISTON RETAINER NUT	STEEL & NYLON	ASTM-AI94-65 GRADE 2	2	
12	210408	STOP ADJUSTING SCREW	STEEL	ASTM-AI08 GRADE C-1018/20	2	
13	210306	ADJUSTING SCREW JAM NUT	STEEL & TEFLON	AISI-B1113	2	
14	208387	PISTON SEAL	BUNA-N	DURO 70A	2	2
15	205246	YOKE SEAL	BUNA-N	DURO 70A	2	2
16	210828	PISTON ROD SEAL	BUNA-N	DURO 65A	2	2
17	208383	CYLINDER SEAL	BUNA-N	DURO 70A	2	2
18	209093	HOUSING COVER GASKET	COMPRESSED ASBESTOS	ASTM- D1170	1	1
19	208969	HOUSING COVER SCREW	STEEL	ASTM- A307-65 GRADE A	6	
20	209094	CYLINDER ADAPTER GASKET	COMPRESSED ASBESTOS	ASTM- D1170	2	2
21	204670	CYLINDER ADAPTER SCREW	STEEL	38/42 Rc	8	
22	BM11967	SNUBBER VALVE	ALUM; BUNA-N; NEOPRENE	ASTM-B211; DURO 50A; DURO 70A	3	
23	203727	CYLINDER ADAPTER PLUG	STEEL	COMMERICAL	4	
24	209017	ADAPTER SCREW LOCK WASHER	STEEL	COMMERICAL	8	
25	205216	PISTON HEAD SEAL	BUNA-N	DURO 70A	2	
26	203294	SERIAL NUMBER TAG	ALUMINUM	B-211	1	
27	210921	PISTON ROD ANTI-EXTRUSION SEAL	MOLYTHANE	CUP: DURO 90; O-RING: DURO 70A	2 SETS	2 SETS
28	209267	SPRING PISTON	GRAY IRON	ASTM-AI26-6IT GRADE B	1	
29		SPRING CYLINDER	STEEL	TUBING AISI-1018; PLATE·ASTM-A285	1	
30		SPRING ASSEMBLY	STEEL & DUCTILE IRON		1	
31	202805	CORE PLUG	STEEL	COMMERICAL	1	
32	203727	DRAIN PLUG	STEEL	COMMERICAL	1	
33	208384	PIN RETAINER	STEEL	SAE 1075	2	



### 733 A-SR

**NOTE: THIS UNIT  
PREVIOUSLY  
IDENTIFIED  
AS  
2732A-SR**

ITEM NO.	PART NO.	DESCRIPTION	MATERIAL	MATERIAL SPEC.	QUAN.	SPARE PARTS
1	208837	HOUSING	DUCTILE IRON	ASTM - A 445 - 63T GRADE 60-45-15	1	
2	206048	YOKE	DUCTILE IRON	ASTM - A536 - 65T GRADE 65-45-12	1	
3	206044	HOUSING COVER	DUCTILE IRON	ASTM - A536 - 65T GRADE 65-45-12	1	
4	209098	YOKE PIN	STEEL	STRESSPROOF	2	
5	209097	YOKE PIN ROLLER	STEEL	STRESSPROOF	2	
6	209275	PISTON ROD	STEEL	STRESSPROOF	1	
7	203780	PISTON	GRAY IRON	ASTM - A126 - 61T CLASS B	2	
8	202062	CYLINDER ADAPTER	DUCTILE IRON	ASTM - A536 - 65T GRADE 60-45-15	2	
9	206137	CYLINDER	STEEL	TUBING: AISI-1018, PLATE: ASTM-A285	2	
10	209096	PISTON ROD GUIDE BUSHING	BRONZE	ASTM-B143-52 GRADE 88-10-2	2	
11	208388	PISTON RETAINER NUT	STEEL & NYLON	ASTM-A194-65 GRADE 2	1	
12	210408	STOP ADJUSTING SCREW	STEEL	ASTM-A108 GRADE C-1018/20	2	
13	210306	ADJUSTING SCREW JAM NUT	STEEL & TEFLON	AISI-B1113	2	
14	208387	PISTON SEAL	BUNA-N	DURO 70A	6	6
15	205246	YOKE SEAL	BUNA-N	DURO 70A	2	2
16	210828	PISTON ROD SEAL	BUNA-N	DURO 65A	2	2
17	208383	CYLINDER SEAL	BUNA-N	DURO 70A	4	4
18	209093	HOUSING COVER GASKET	COMPRESSED ASBESTOS	ASTM - D1170	1	1
19	208969	HOUSING COVER SCREW	STEEL	ASTM - A307-65 GRADE A	6	
20	209094	CYLINDER ADAPTER GASKET	COMPRESSED ASBESTOS	ASTM - D1170	2	2
21	204670	CYLINDER ADAPTER SCREW	STEEL	COMMERICAL Rc	8	
22	BMI1967	SNUBBER VALVE	ALUM, BUNA-N, NEOPRENE	ASTM-B211, DURO 50A; DURO 70A	5	
23	203727	CYLINDER ADAPTER PLUG	STEEL	COMMERICAL	6	
24	209017	ADAPTER SCREW LOCK WASHER	STEEL	COMMERICAL	8	
25	205216	PISTON HEAD SEAL	BUNA-N	DURO 70A	2	2
26	203294	SERIAL NUMBER TAG	ALUMINUM	B-211	1	
27	210921	PISTON ROD ANTI-EXTRUSION SEAL	MOLYTHANE	CUP DURO; 90; O-RING: DURO 70A	2 SETS	2 SETS
28	209267	SPRING PISTON	GRAY IRON	ASTM - A126-61T GRADE B	1	
29		SPRING CYLINDER	STEEL	TUBING AISI-1018; PLATE ASTM-A285	1	
30		SPRING ASSEMBLY	STEEL & DUCTILE IRON		1	
31	202805	CORE PLUG	STEEL	COMMERICAL	1	
32	203727	DRAIN PLUG	STEEL	COMMERICAL	2	
33	209092	PISTON ROD ADAPTER	STEEL	GRADE B-1112	1	
34	204824	OUTER PISTON	GRAY IRON	ASTM-A126-61T CLASS B	1	
35	209013	OUTER PISTON RETAINER NUT	STEEL & NYLON	ASTM-A194-65 GRADE 2	1	
36	209015	OUTER PISTON ROD SEAL	BUNA-N w/ FIBER BACK	DURO 70A	1 SET	1 SET
37	203925	FLAT HEAD SCREW	BRASS	COMMERICAL	6	
38	210581	ROD SEAL RETAINER	STEEL	ASTM-A108 GRADE C-1018/20	2	
39	209270	OUTER PISTON ROD	STEEL	STRESSPROOF	1	
40	211762	OUTER PISTON ROD LOCK WASHER	STEEL	COMMERICAL	1	
41	206042	INNER CYLINDER	STEEL	AISI - 1018	1	
42	201205	OUTER BODY	DUCTILE IRON	ASTM-A536-65T GRADE 60-45-10	1	
43	205210	OUTER PISTON HEAD SEAL	BUNA-N	DURO 70A	1	1
44	208384	PIN RETAINER	STEEL	SAE 1075	2	