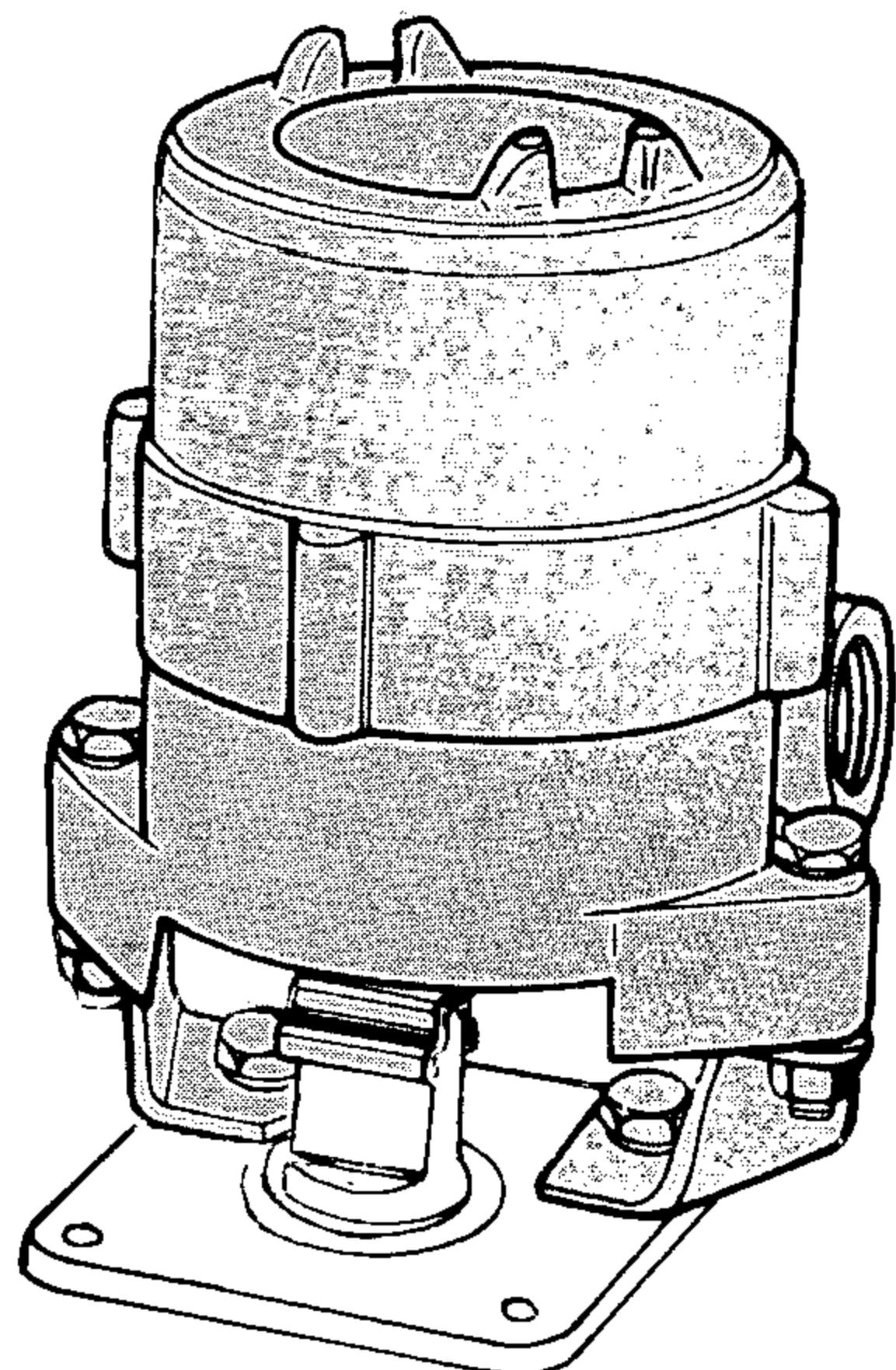


# BETTI SWITCH



**Function:** The Bettiswitch is a compact versatile position-indicating switch designed primarily for use with valve actuators.

## Typical Applications:

The primary use for the Bettiswitch is for valve position indicating. (Open-close) The Bettiswitch is also used in sequencing-control for automatic operation of pumps, compressors, valves, etc., and for general on-off service.

## Flexibility of operation:

- Elements are individually adjustable.
- On direct-coupled switches, elements can be precisely set for activation at any point of the operating cycle.
- Elements and rotating cams can be repositioned in the field — by simple adjustment.
- Operation of the switch is bi-directional, allowing trip-point adjustment in either direction.

## Standard elements:

- 2 circuits - 2 SPDT elements (15 amps)
- 4 circuits - 4 SPDT elements (15 amps)
- 4 circuits - 2 DPDT elements (10 amps)

## Special elements:

- Hermetically sealed elements, gold alloy contacts, magnetic blow-out heaters and other special requirements can be furnished.

## Choice of operating mechanism:

- Bi-directional non-sparking roller/lever operated with spring return to center.
- Direct-coupled to actuator rotating torque plug.

## Enclosures are weather- and explosion-proof

- All units have rain-tight covers.
- Direct-coupled unit eliminates ice-fouled lever and return spring problems.
- Enclosures have two 3/4-inch NPT in-line conduit openings.
- All enclosures are designed to Nema VII standards for Class I (Groups C and D) and Class II (Groups E, F and G) hazardous locations.
- Flush mount units are available for sealed operating mechanism on actuators.
- Consult factory for special application and enclosure material.

## Construction:

- Standard construction consists of die-cast aluminum enclosures equipped for foot mounting.
  - All internal parts are plated for maximum corrosion resistance.
- CAUTION: To prevent ignition of hazardous atmospheres, break circuits before opening, keep tightly closed when in operation.



# Dimensions and Specifications

## Standard Units

MODEL NO.	DESCRIPTION
RX-021 AFB	Direct coupled, 2-SPDT switching elements
RX-022 AFA	Direct coupled, 2-DPDT switching elements
RX-321 AFB	Lever operated, 2-SPDT switching elements
RX-322 AFA	Lever operated, 2-DPDT switching elements
RX-041 AFB	Direct coupled 4-SPDT switching elements
RX-341 AFB	Lever operated 4-SPDT switching elements

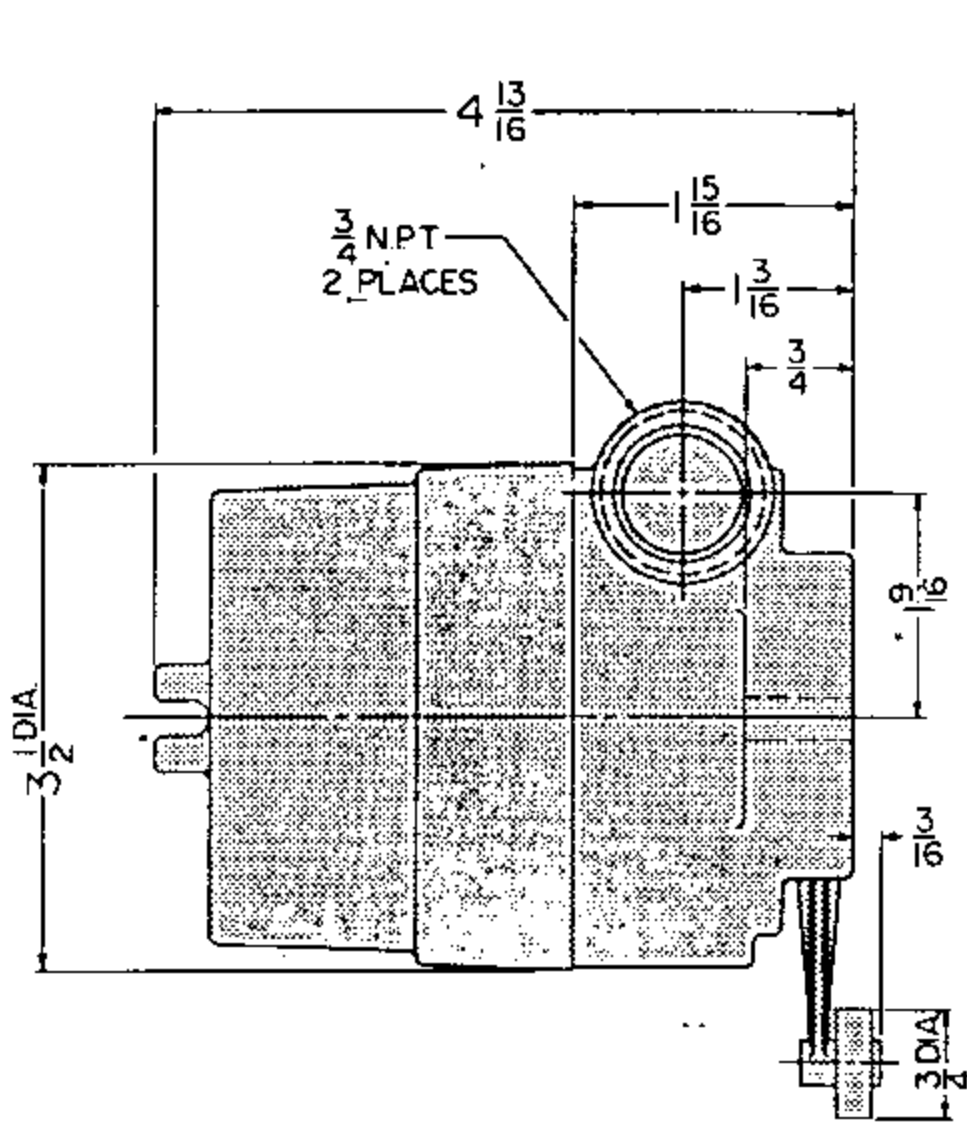
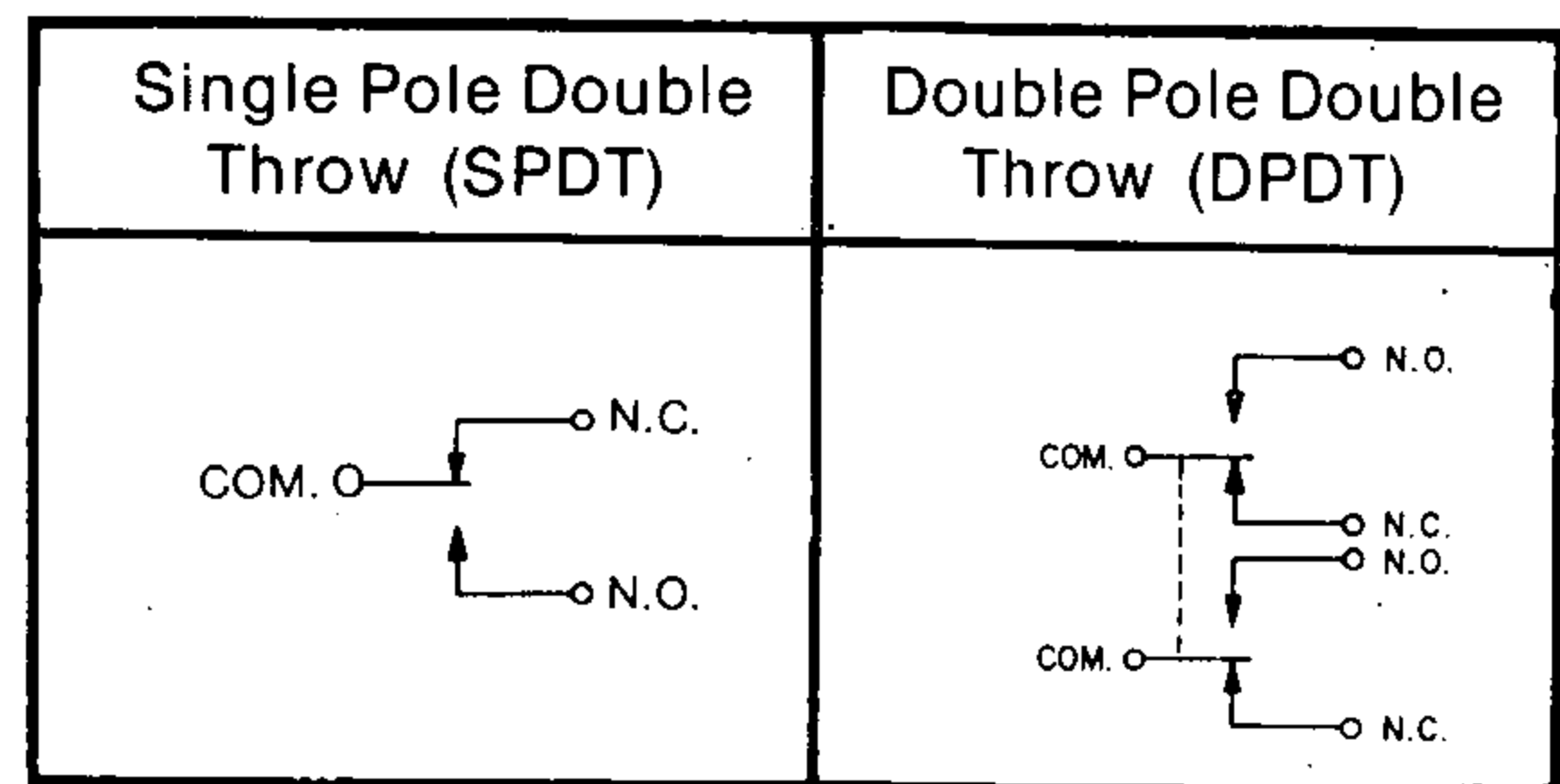
## Electrical Ratings

SP/DT			DP/DT		
Amps	VAC	VDC	Amps	VAC	VDC
15	125		10	125	
15	250		10	250	
15	480		*0.30		125
* 0.50		125	*0.15		250
* 0.25		250			

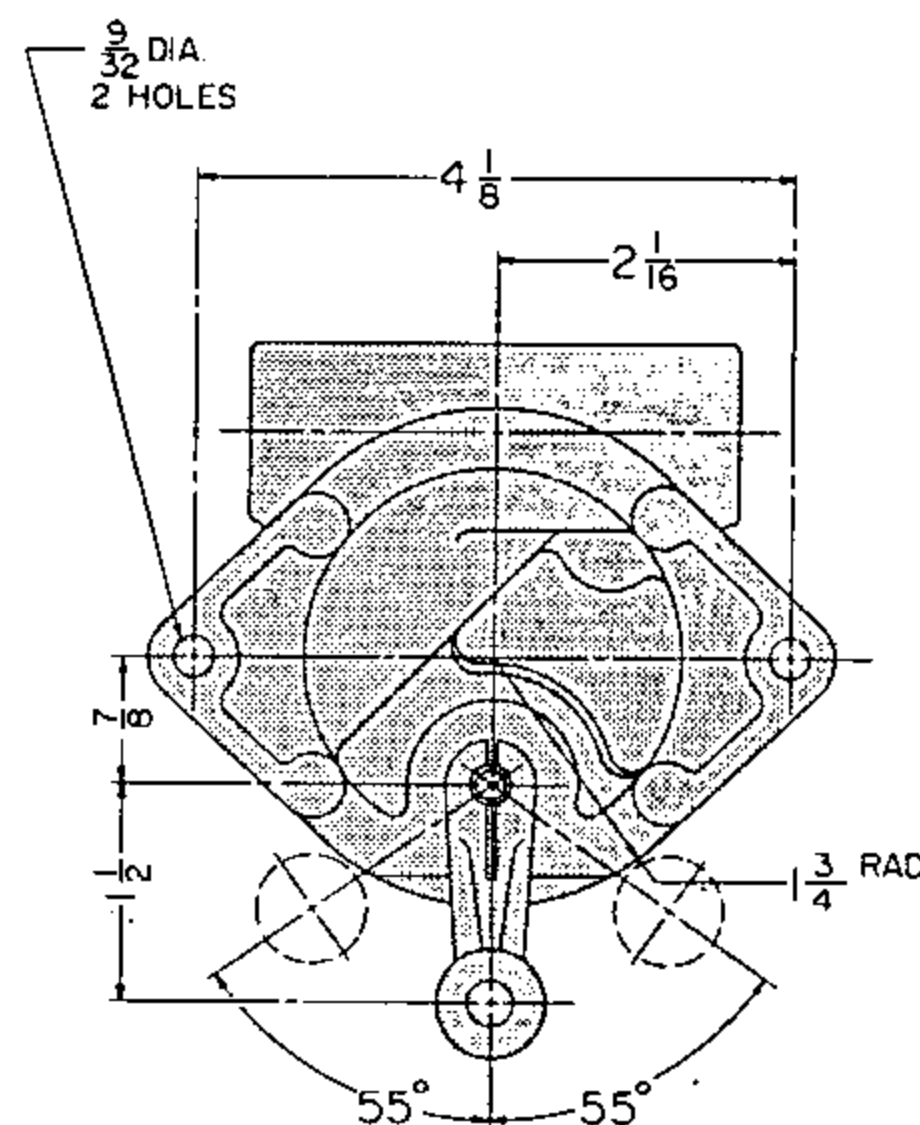
Switch Elements in above table are UL & CSA listed

\* Other amperage ratings for DC voltage are available. Consult factory.

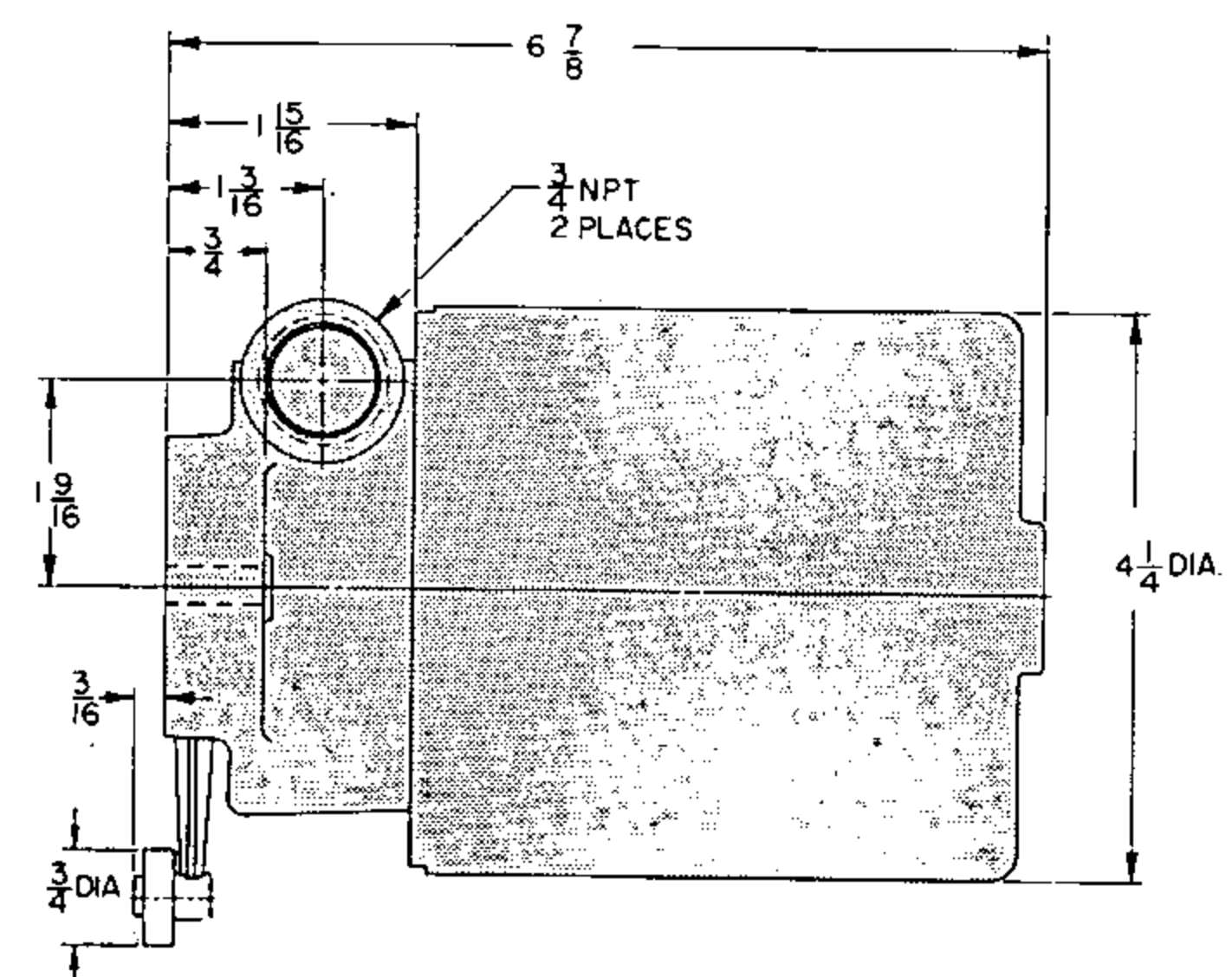
## Electrical Data



TWO ELEMENT SWITCH  
(RX-321 & RX-322)



MAX TRAVEL



FOUR ELEMENT SWITCH  
(RX-341)

DESCRIP.	PRE TRAVEL	DIFFERENTIAL TRAVEL
SPDT	10° MIN.	10° MIN.
DPDT	30° MIN.	25° MIN.

**EUROPEAN SALES AND MANUFACTURING FACILITIES:**  
**BETTIS ACTUATORS & CONTROLS LTD.**  
 20/36 Empress Road  
 Southampton SO2 OJU  
 Hampshire, England  
 Telephone: Southampton 32414  
 Telex: 47493



PATENT NO. 3,684,844

**HOME OFFICE:**  
**BETTIS CORPORATION**  
 3100 Fall at Grand Boulevard  
 P. O. Box 14689, Houston, Texas  
 Telephone: (713) 748-1143  
 Telex: 762713

PRINTED IN U.S.A.