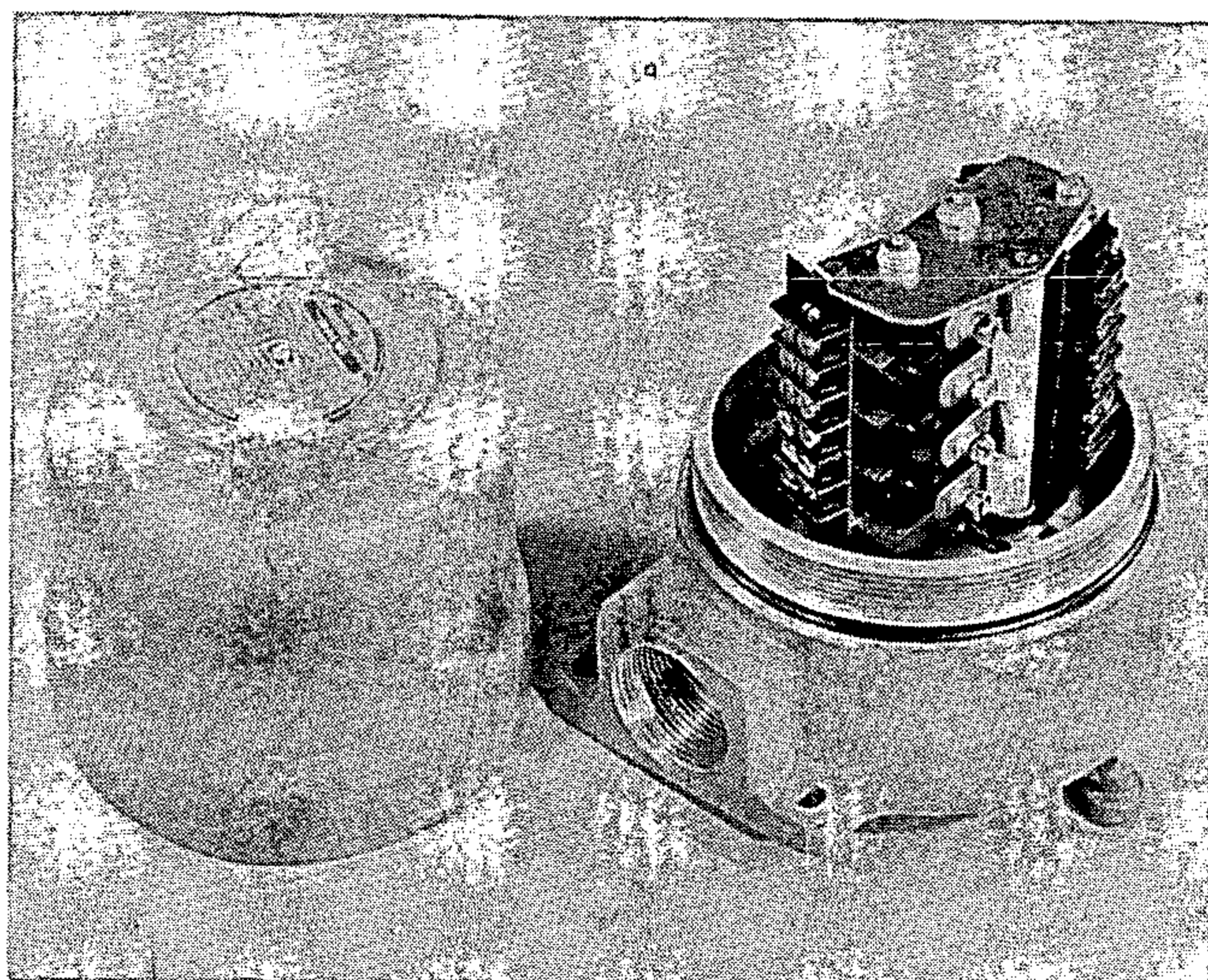


BETTI SWITCH



5R — BETTISWITCH

5R switches utilize a rotary cam type tripping mechanism with precision adjustment and are designed for position indication in hazardous atmospheres and outdoor use.

Flexibility of operation:

- Elements are individually adjustable
- On direct coupled switches, elements can be precisely set for activation at any point of the operating cycle.
- Operation of the switch is bi-directional, allowing trip-point adjustment in either direction.
- Individual switches are field adjustable utilizing a remote lever and adjusting screw — not requiring the element to move from its original installation.
- Elements are rigidly mounted providing for excellent resolution and interchangeability.

Standard elements:

- 4 circuits — 4 SPDT elements (15 amp)
- 8 circuits — 4 DPDT elements (10 amps)

Special elements:

- Hermetically sealed elements, gold alloy contacts, magnetic blow-out elements and other special requirements can be furnished.

Choice of operating mechanism:

- Direct coupled rotational shaft adjustable in either direction through 360°.
- Spring to center nonsparking roller lever adjustable to 55° either side of center.

Enclosures are weather and explosion proof:

- Aluminum.
- Two (2) 1¼" NPT conduit openings located inline.
- All units have rain tight covers.
- Large "O" ring at cover connection for positive sealing.
- Flush mount units with large "O" ring seal are available for sealed operating mechanism on actuators.
- All units have a 5" diameter cover allowing for more wiring space.
- All enclosures are designed to NEMA VII Standards for Class I (Group C and D) and Class II (Groups E, F and G) hazardous locations.

Construction:

- Standard construction consists of cast aluminum enclosures.
- All internal parts are plated for maximum corrosion resistance.

Caution:

To prevent ignition of hazardous atmospheres, break circuits before opening, keep tightly closed when operating.



Dimensions and Specifications

Standard Units

MODEL NO.	DESCRIPTION
5R-041-ABC	DIRECT COUPLED, 4-SPDT SWITCHING ELEMENTS
5R-042-ABC	DIRECT COUPLED, 4-DPDT SWITCHING ELEMENTS
5R-341-ABC	LEVER OPERATED, 4-SPDT SWITCHING ELEMENTS
5R-342-ABC	LEVER OPERATED, 4-DPDT SWITCHING ELEMENTS

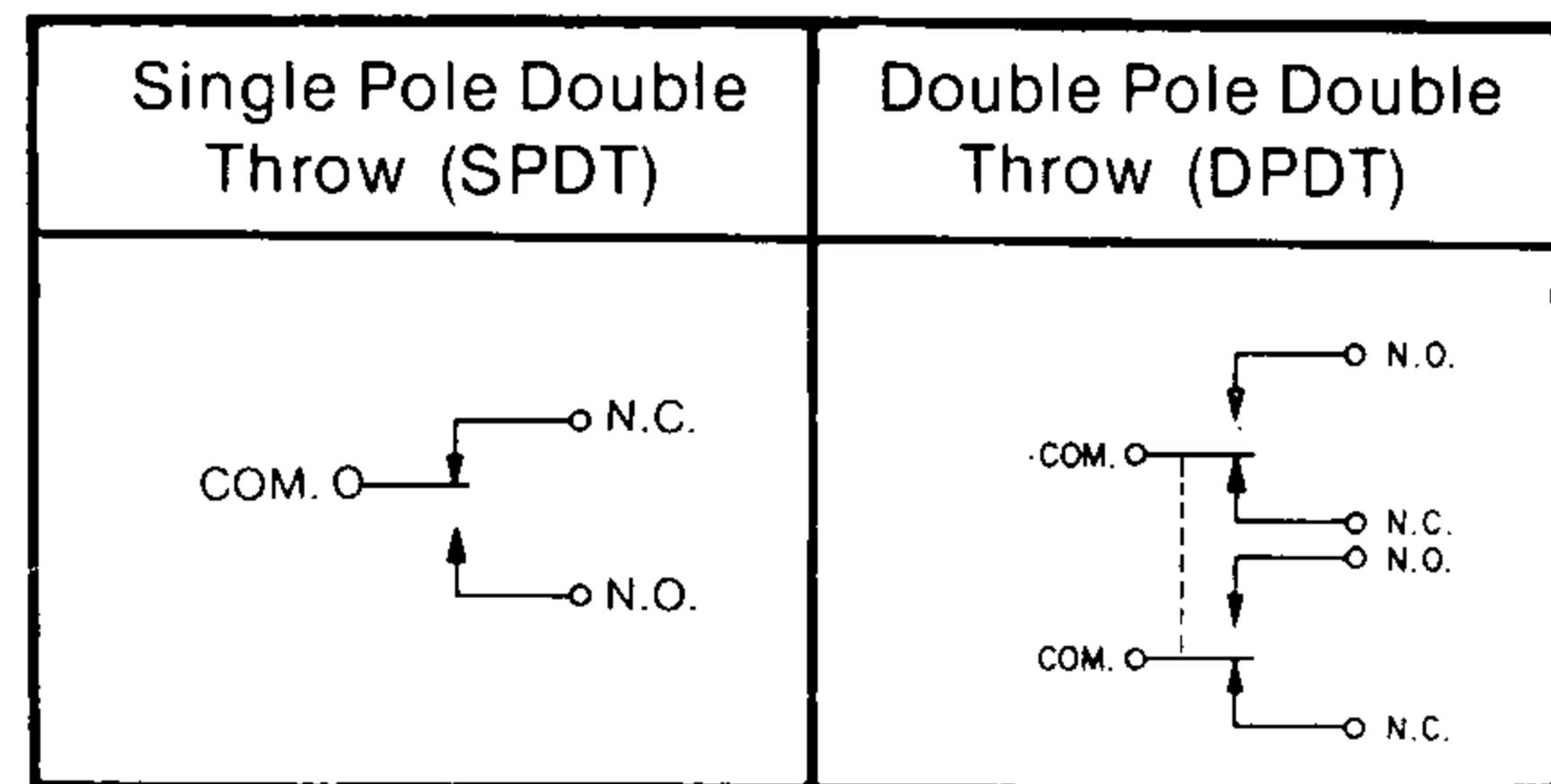
Electrical Ratings

SP/DT			DP/DT		
Amps	VAC	VDC	Amps	VAC	VDC
15	125		10	125	
15	250		10	250	
15	480		*0.30		125
* 0.50		125	*0.15		250
* 0.25		250			

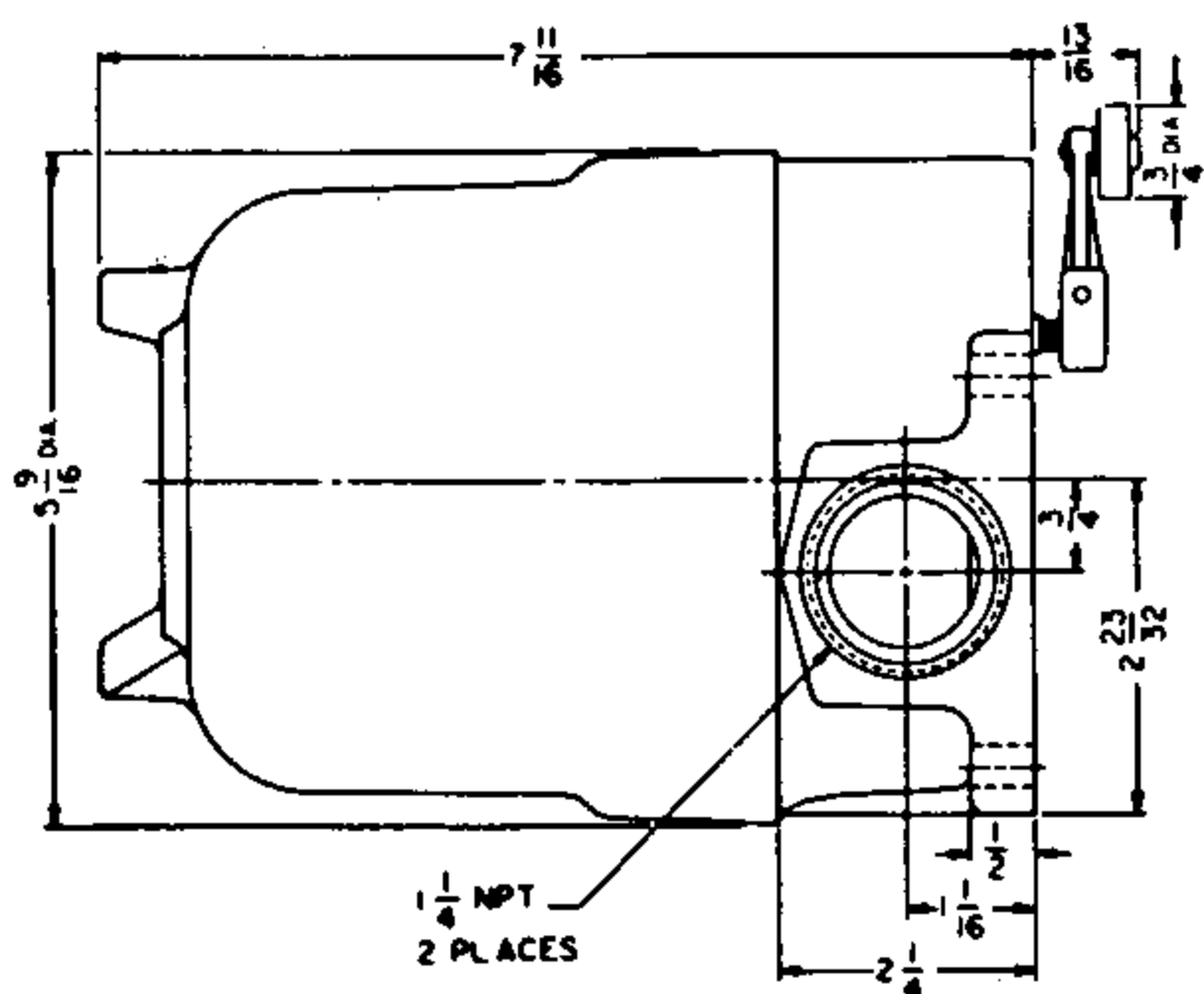
Switch Elements in above table are UL & CSA listed

* Other amperage ratings for DC voltage are available. Consult factory.

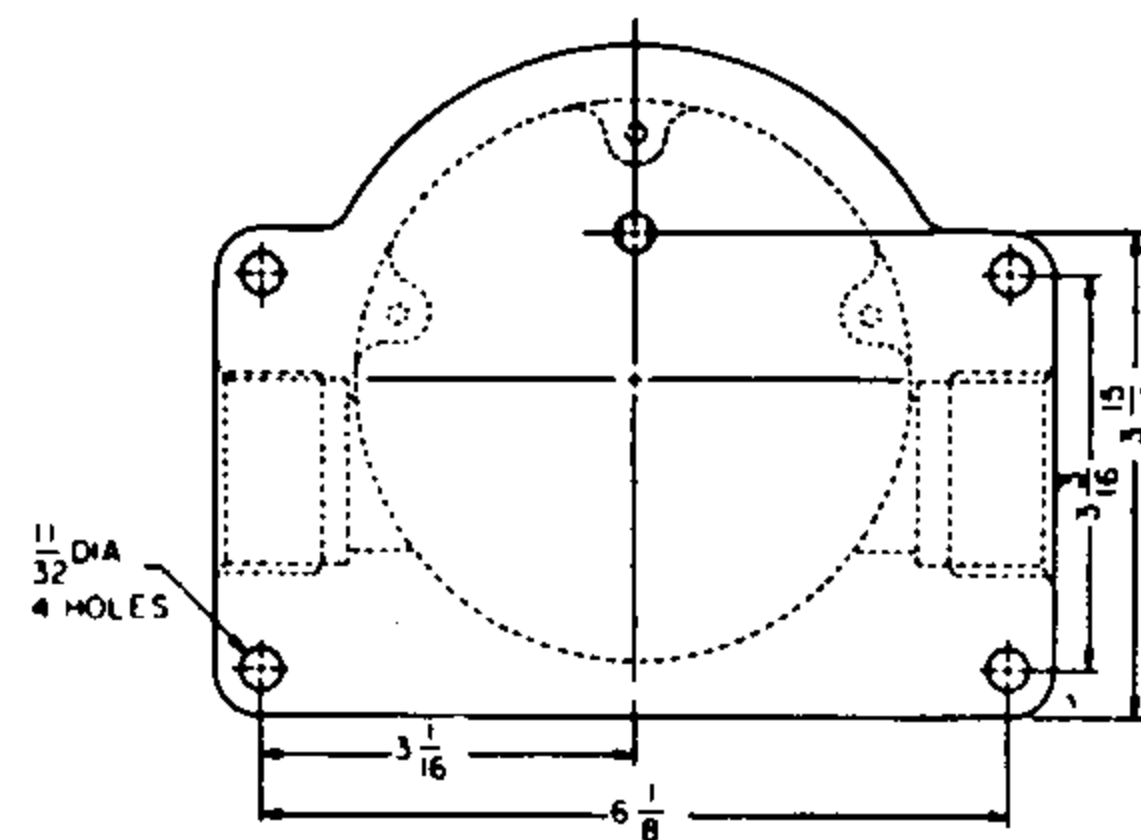
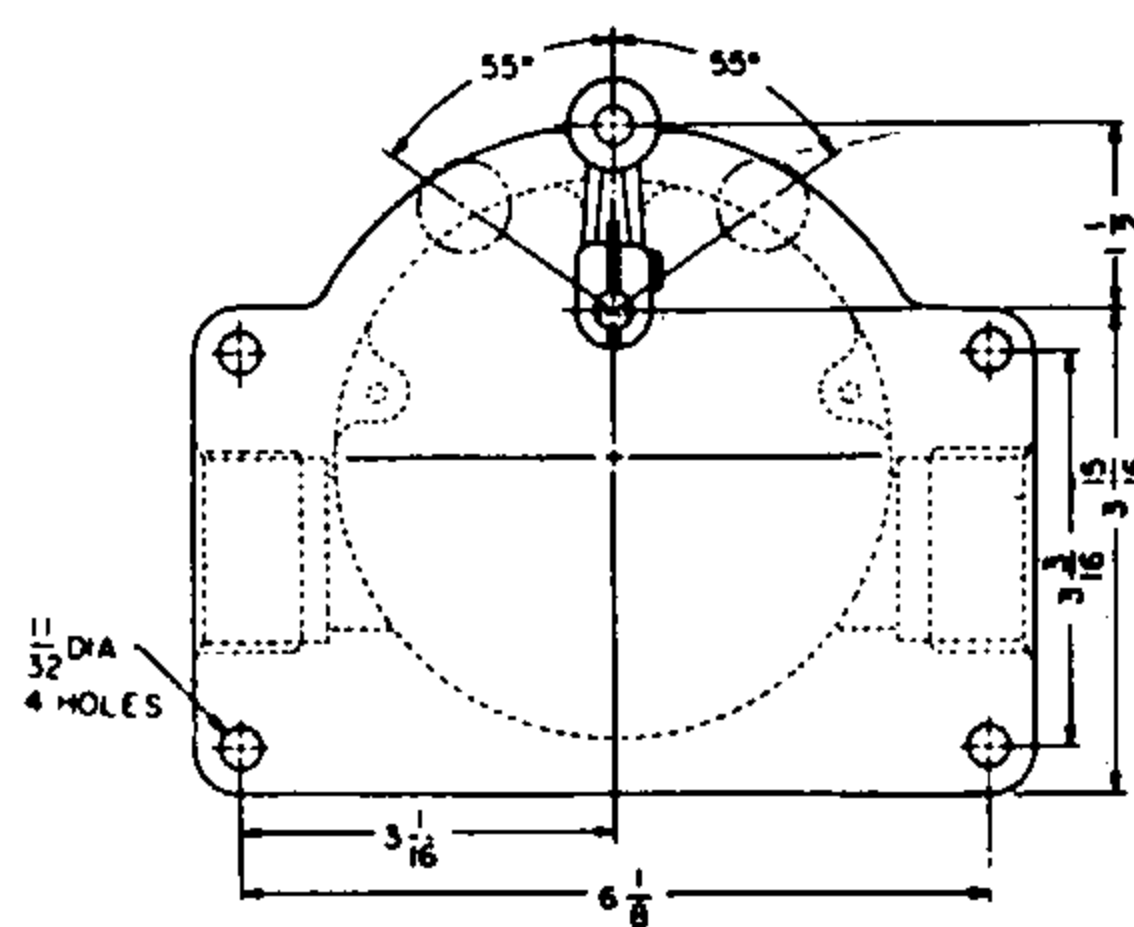
Electrical Data



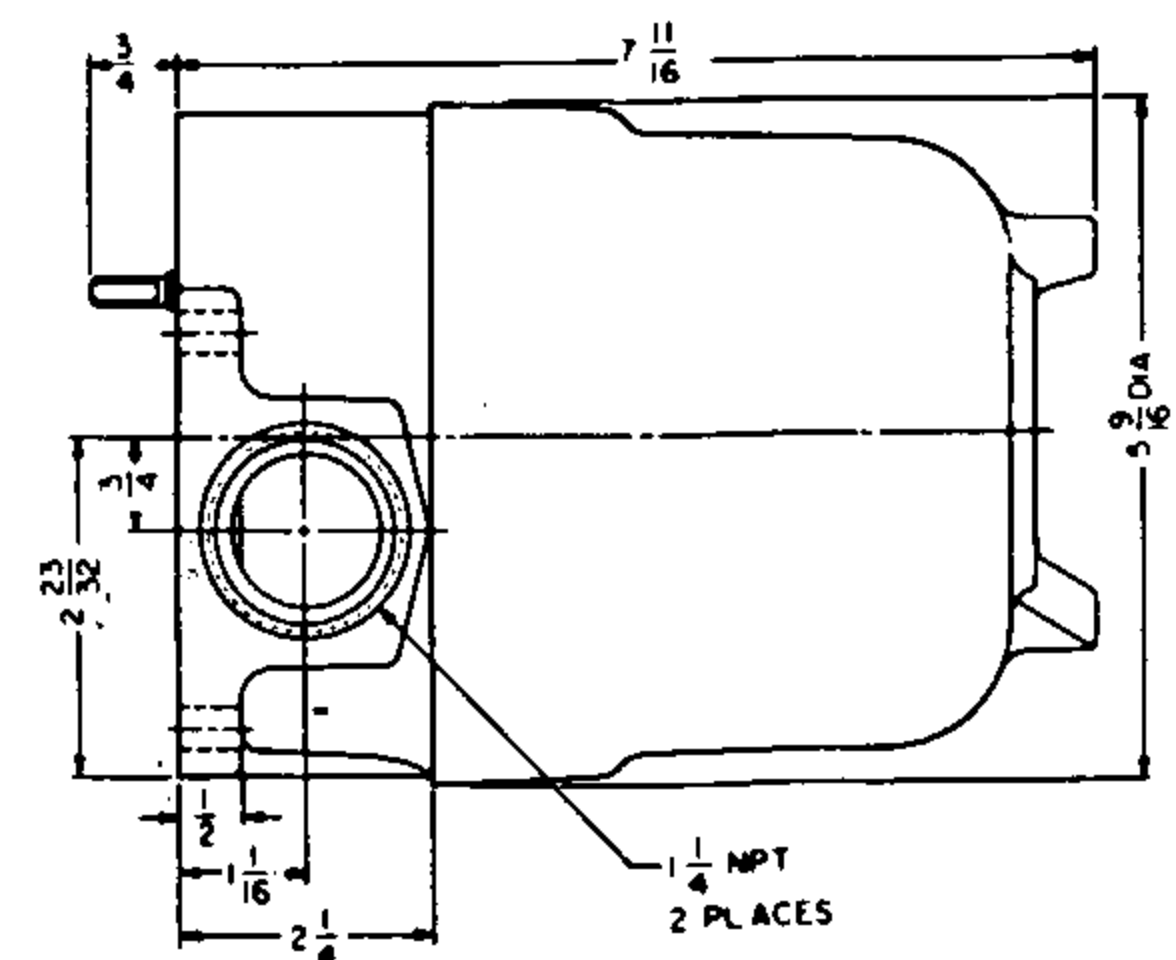
LEVER OPERATED



MAXIMUM TRAVEL



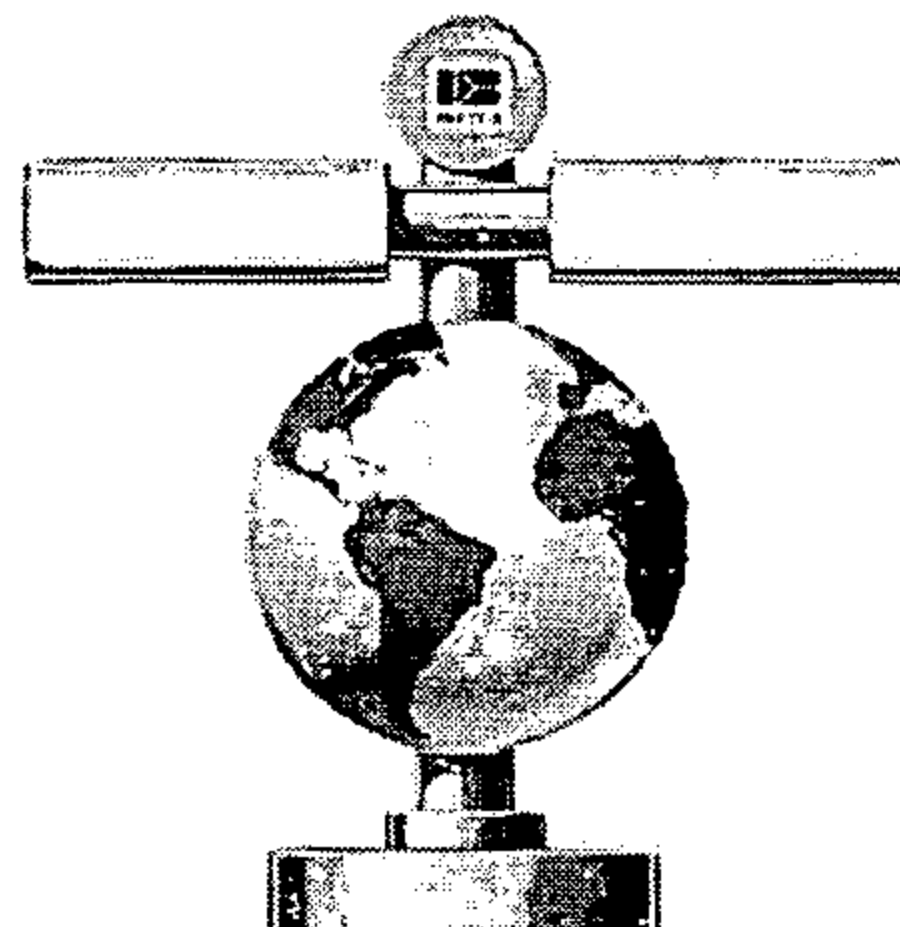
DIRECT DRIVE



DESCRIP.	PRE TRAVEL	DIFFERENTIAL TRAVEL
SPDT	10° MIN.	3° MIN.
DPDT	25° MIN.	16° MIN.

HOME OFFICE:

BETTIS CORPORATION
 7031 Grand Boulevard
 P. O. Box 14689,
 Houston, Texas 77021
 Telephone: (713) 748-1143
 Telex: 762713



BETTIS ACTUATORS & CONTROLS LTD.

20/36 Empress Road
 Southampton SO2 OJU
 Hampshire, England
 Telephone: Southampton 32414
 Telex: 47493