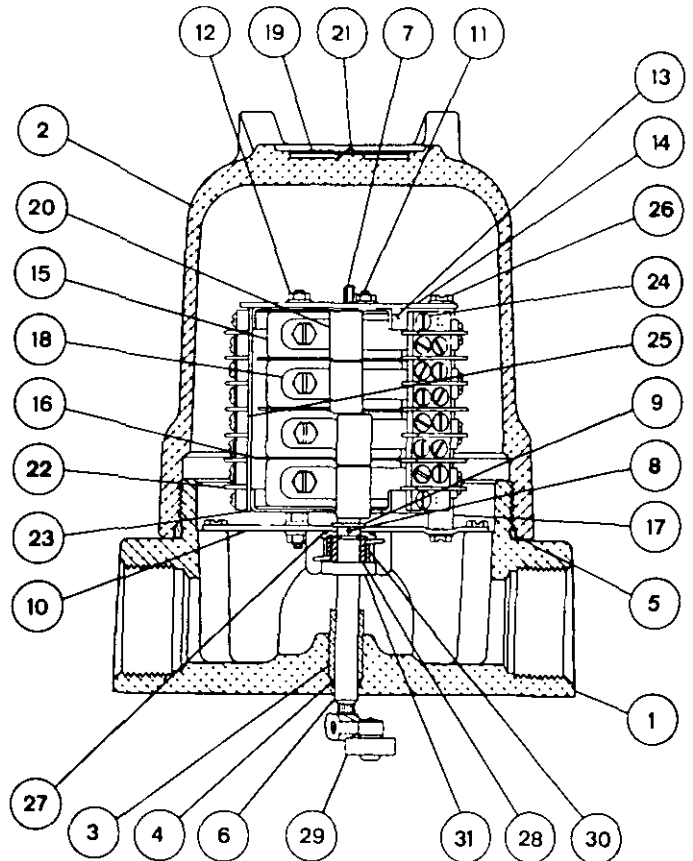




BETTISWITCH MODEL "5R" PARTS LIST

Item	Quantity		Description	Part No.
	341	342		
1	1	1	HOUSING, BASE MOUNT	29368
2	1	1	COVER	29369
3	1	1	BUSHING, SHAFT	12890
4	1	1	SEAL, SHAFT	5011
5	1	1	SEAL, COVER	5248
6	1	1	SHAFT	29376
7	1	1	PINION WIRE	12923
8	1	1	DRIVE PIN	29377
9	2	2	RING, RETAINER	12906
10	1	1	BASEPLATE	29374
11	2	2	STUD	26504
12	6	6	NUT, FLANGE	29783
13	2	2	MOUNT, TERMINAL	29759
14	1	1	PLATE, LOCATING	29375
15	4		ELEMENT, SPDT	29380
*		4	ELEMENT, DPDT	31300
*			ELEMENT, HERM. SEAL	31301
*			ELEMENT, MAG.	31302
*			ELEMENT, GOLD CONTACT	31303
16	10	10	SHIELD, SWITCH	29908
17	1	1	POST, 4-ELEMENT	29382
18	4	4	SPRING, LEAF	29378
19	1		NAMEPLATE	31383
		1	NAMEPLATE	31382
**			NAMEPLATE	31384
20	4	4	CAM	12896
21	1	1	SCREW, NAMEPLATE	28579
22	3	3	STRIP, TERMINAL	29901
23	6	6	CLIP, LOCKNUT	16412
24	6	6	SCREW, R.H.	24022
25	3	3	STRIP, MARKER	29902
26	13	13	SCREW, SLOT HEX CAP	29372
27	1	1	WASHER, THRUST	29760
28	1	1	BUSHING, SPRING	29893
29	1	1	ROLLER, LEVER	12908
30	1	1	SPRING, RETURN	12900
31	1	1	SPRING, CAM	12921



**MODEL "5R"
LEVER OPERATED**

* Alternate basic switch elements required on various 5R Model constructions.

** Nameplate (Part No. 31384) used on all other 5R Switch Models.

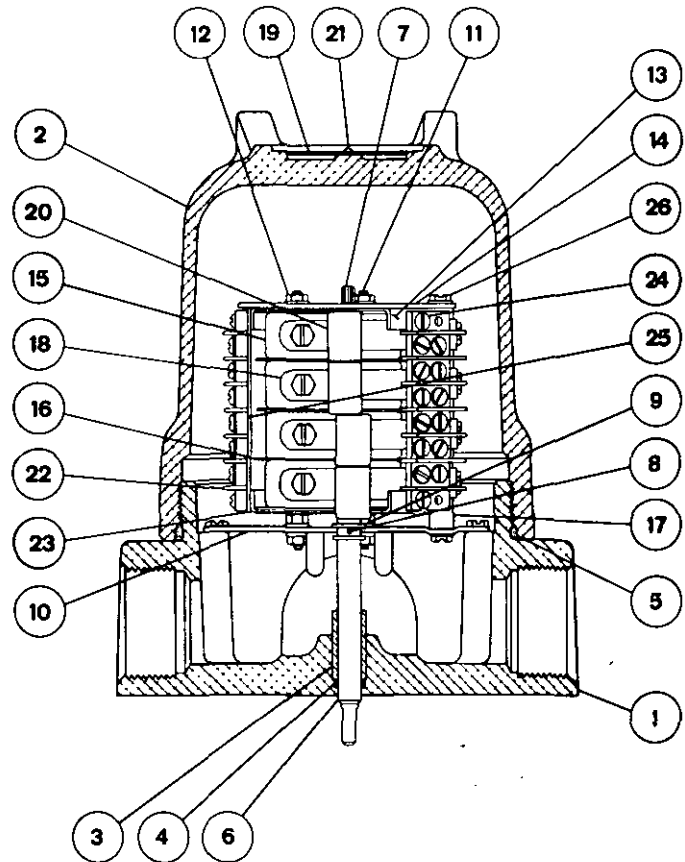
NOTE: When ordering replacement parts, include the Switch Model number, Item number and Part number.



BETTISWITCH

MODEL "5R" PARTS LIST

Item	Quantity		Description	Part No.
	041	042		
1	1	1	HOUSING, BASE MOUNT	29368
2	1	1	COVER	29369
3	1	1	BUSHING, SHAFT	12890
4	1	1	SEAL, SHAFT	5011
5	1	1	SEAL, COVER	5248
6	1	1	SHAFT	29376
7	1	1	PINION WIRE	12923
8	1	1	DRIVE PIN	29377
9	2	2	RING, RETAINER	12906
10	1	1	BASEPLATE	29374
11	2	2	STUD	26504
12	6	6	NUT, FLANGE	29783
13	2	2	MOUNT, TERMINAL	29759
14	1	1	PLATE, LOCATING	29375
15	4		ELEMENT, SPDT	29380
*		4	ELEMENT, DPDT	31300
*			ELEMENT, HERM. SEAL	31301
*			ELEMENT, MAG.	31302
*			ELEMENT, GOLD CONTACT	31303
16	10	10	SHIELD, SWITCH	29908
17	1	1	POST, 4-ELEMENT	29382
18	4	4	SPRING, LEAF	29378
19	1		NAMEPLATE	31383
		1	NAMEPLATE	31382
**			NAMEPLATE	31384
20	4	4	CAM	12896
21	1	1	SCREW, NAMEPLATE	28579
22	3	3	STRIP, TERMINAL	29901
23	6	6	CLIP, LOCKNUT	16412
24	6	6	SCREW, R.H.	24022
25	3	3	STRIP, MARKER	29902
26	13	13	SCREW, SLOT HEX CAP	29372



MODEL "5R"
DIRECT DRIVE

* Alternate basic switch elements required on various 5R Model constructions.

** Nameplate (Part No. 31384) used on all other 5R Switch Models.

NOTE: When ordering replacement parts, include the Switch Model number, Item number and Part number.