

301 D

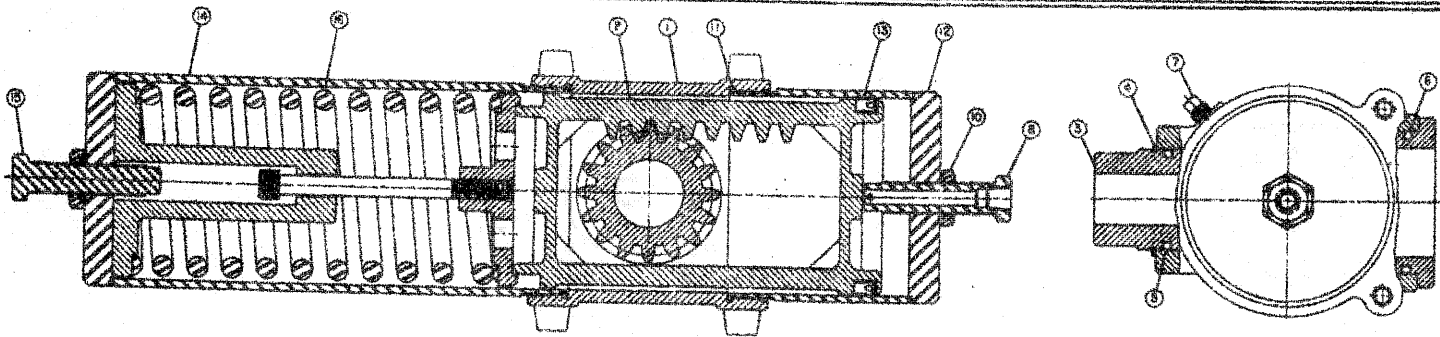
Item No.	Part No.	Description	Material	Material Spec.	Quan.	Spare Parts
1	06013	CENTER BODY	GRAY IRON	ASTM-A126-61 CLASS B	1	
2	09330	PISTON-RACK GEAR	DUCTILE IRON	ASTM-A536-65T EXCEPT 60-45-10	1	
3	03738	TORQUE PLUG	DUCTILE IRON	ASTM-A536-65T EXCEPT 60-45-10	1	
4	03111	TORQUE PLUG RETAINER	STEEL	SAE 1075	1	
5	05330	UPPER TORQUE PLUG SEAL	BUNA-N	DURO 70A	1	1
6	05339	LOWER TORQUE PLUG SEAL	BUNA-N	DURO 70A	1	1
7	11967	RELIEF FITTING	ALUMINUM & BUNA-N	ASTM-B145-4B GRADE 88-5-5-5	1	
8	10408	STOP SCREW	STEEL	GRADE C-1213	2	
9	03294	SERIAL NUMBER TAG	ALUMINUM	COMMERCIAL	1	
10	30878	STOP SCREW LOCK-SEAL NUT	STEEL w/TEFLON INSERT	GRADE B-1113	2	
11	08962	CYLINDER SEAL	BUNA-N	DURO 70A	2	2
12	25066	CYLINDER	STEEL	END CAP:ASTM-A7; TUBING: AISH018	2	
13	02312	PISTON SEAL	BUNA-N	DURO 70A	2	2

- SEAL KIT PART NO. 11599

301 D-180

Item No.	Part No.	Description	Material	Material Spec.	Quan.	Spare Parts
1	06013	CENTER BODY	GRAY IRON	ASTM-A126-61 CLASS B	1	
2	09330	PISTON-RACK GEAR	DUCTILE IRON	ASTM-A536-65T EXCEPT 60-45-10	1	
3	03738	TORQUE PLUG	DUCTILE IRON	ASTM-A536-65T EXCEPT 60-45-10	1	
4	03111	TORQUE PLUG RETAINER	STEEL	SAE 1075	1	
5	05330	UPPER TORQUE PLUG SEAL	BUNA-N	DURO 70A	1	1
6	05339	LOWER TORQUE PLUG SEAL	BUNA-N	DURO 70A	1	1
7	11967	RELIEF FITTING	ALUMINUM & BUNA-N	ASTM-B145-4B GRADE 88-5-5-5	1	
8	10408	STOP SCREW	STEEL	GRADE-1213	2	
9	03294	SERIAL NUMBER TAG	ALUMINUM	COMMERCIAL	1	
10	30878	STOP SCREW LOCK-SEAL NUT	STEEL w/TEFLON INSERT	GRADE B-1113	2	
11	08962	CYLINDER SEAL	BUNA-N	DURO 70A	2	2
12	09345	CYLINDER	STEEL	END CAP:ASTM-A7; TUBING:AISI-1018	2	
13	02312	PISTON SEAL	BUNA-N	DURO 70A	2	2

- SEAL KIT PART NO. 11599



301 D-SR

Item No.	Part No.	Description	Material	Material Spec.	Quan.	Spare Parts
1	06013	CENTER BODY	GRAY IRON	ASTM-A126-61 CLASS B	1	
2	09123	PISTON-RACK GEAR	DUCTILE IRON	ASTM-A536-65T EXCEPT 60-45-10	1	
3	03738	TORQUE PLUG	DUCTILE IRON	ASTM-A536-65T EXCEPT 60-45-10	1	
4	03111	TORQUE PLUG RETAINER	STEEL	SAE 1075	1	
5	05330	UPPER TORQUE PLUG SEAL	BUNA-N	DURO 70A	1	1
6	05339	LOWER TORQUE PLUG SEAL	BUNA-N	DURO 70A	1	1
7	11967	RELIEF FITTING	ALUMINUM & BUNA-N	ASTM-B145-4R GRADE 88-5-5-5	1	
8	10408	STOP SCREW (PRESSURE SIDE)	STEEL	GRADE C-1213	1	
9	03294	SERIAL NUMBER TAG	ALUMINUM	COMMERCIAL	1	
10	30878	STOP SCREW LOCK-SEAL NUT	STEEL w/TEFLON INSERT	GRADE B-1113	1	
11	08962	CYLINDER SEAL	BUNA-N	DURO 70A	2	
12	25066	CYLINDER (PRESSURE SIDE)	STEEL	END CAP:ASTM-A7; TUBING:AISI-1018	2	2
13	02312	PISTON SEAL	BUNA-N	DURO 70A	1	
14		CYLINDER (SPRING SIDE)	STEEL	END CAP:ASTM A7; TUBING:AISI-1018	1	1
15	10414	STOP SCREW (SPRING SIDE)	STEEL	GRADE C-1213	1	
16		SPRING ASSEMBLY	STEEL & DUCTILE IRON		1	1

- SEAL KIT PART NO. 11599

Rack and Pinion Series

Double acting

Actuator Model	TORQUE OUTPUT INCH-LBS.	OPERATING PRESSURE—LBS./SQ. INCH												
		40	50	60	70	80	90	100	125	150	175	200	225	250
301D	RUNNING	800	1000	1200	1400	1600	1800	2000	2500	3000	3500	4000	4500	5000
301D-180	RUNNING	800	1000	1200	1400	1600	1800	2000	2500	3000	3500	4000	4500	5000

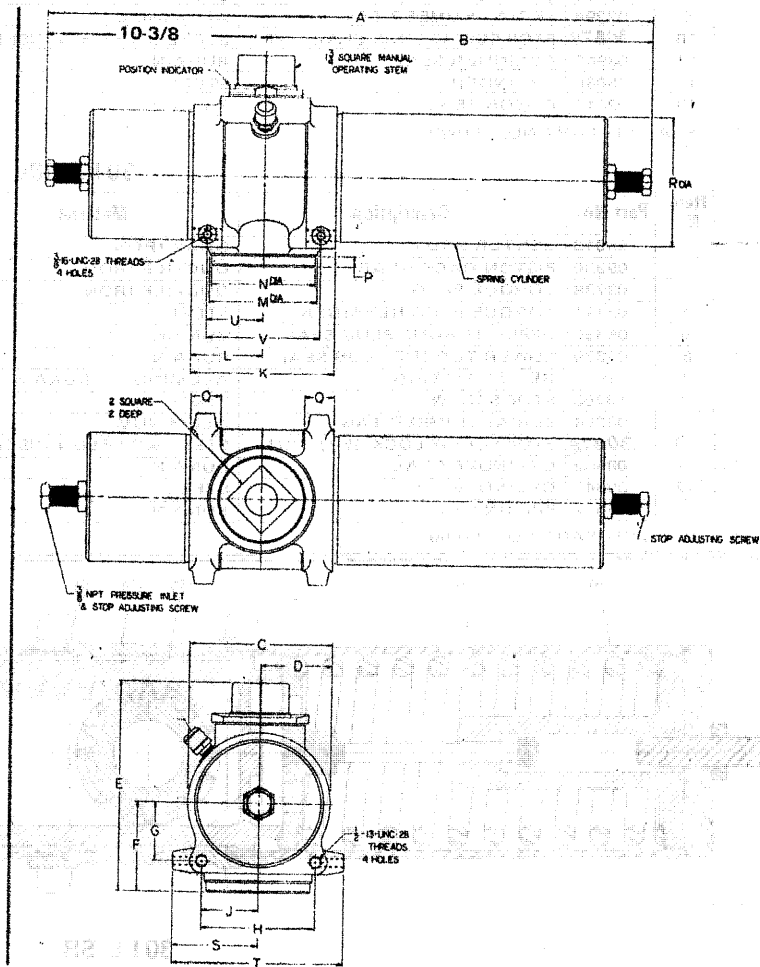
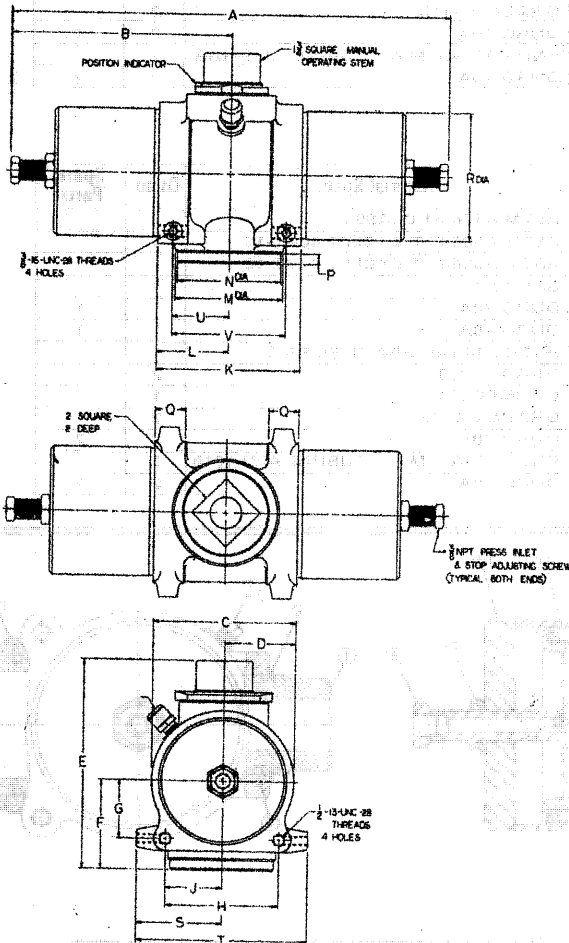
Spring return

Actuator Model		OPERATING PRESSURE—LBS./SQ. INCH												
		40	50	60	70	80	90	100	125	150	175	200	225	250
301D-SR	END	225	420	450	450	515	710	750	1000	1000	1000	1350	1350	2000

301D AND 301D-180

DIMENSIONS

301D-SR



MODEL	A	B	C	D	E	F	G	H	J	K	L	M	N	P	Q	R	S	T	U	V
301D	20-3/4	18-3/8																		
301D-180	22-5/8	11-5/16																		
301D-SR-40	27-3/16	16-13/16	5-7/8	2-15/16	8-13/16	3-3/4	2-7/16	4-3/4	2-3/8	6	3	4-1/2	4-5/16	7/16	1-1/4	5-3/8	3-9/16	7-1/8	2-3/8	4-3/4
301D-SR-80	27-3/16	16-13/16																		
301D-SR125	31-15/16	21-9/16																		



A Galveston-Houston Company

Home Office:

GH-Bettis
 7031 Grand Boulevard
 P.O. Box 14689
 Houston, Texas 77021
 (713) 748-1143
 Telex: 762713

Bettis Actuators & Controls Ltd.

20/36 Empress Road
 Southampton SO2 0JU
 Hampshire, England
 Telephone Southampton 32414
 Telex. 47493